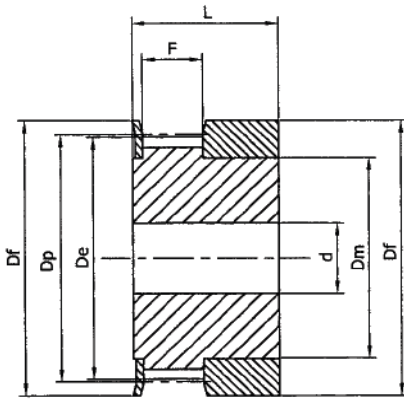


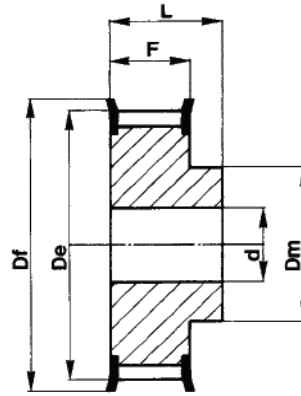


# Koła pasowe zębate HTD<sup>®</sup>

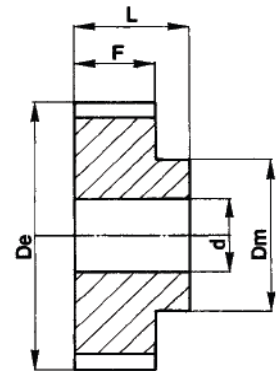
all4machines, ul. Konarzewskiego 42, 62-030 Luboń, NIP 779-224-61-85,  
+48 789 234 323, +48 798 788 625, fax +48 61 666 01 36, office@a4m.com.pl,  
<http://www.a4m.com.pl/>



TYPE 1F



TYPE 6F



TYPE 6

## HTD® 3M-06

FEATURES		CODE SYMBOL	OUR CODE	TYPE	FLANGES TYPE		Dp	De	Df	Dm	F	L	STOCK BORE	WEIGHT Kg
ALUMINIUM 6082 T6 UNI 9006/4	WITH FLANGES	10-3M-06	03M0610	1F	F01	10	9,55	8,79	13	6	7,2	14,5	4	
		12-3M-06	03M0612	1F	F02	12	11,46	10,70	15	8	7,2	14,5	4	
		14-3M-06	03M0614	1F	F03	14	13,37	12,61	16	9,5	7,2	14,5	4	
		15-3M-06	03M0615	1F	F04	15	14,32	13,56	17,5	11,6	7,2	14,5	4	
		16-3M-06	03M0616	6F	F05	16	15,28	14,52	18	10	9,8	17,5	4	
		18-3M-06	03M0618	6F	F06	18	17,19	16,43	20	11	9,8	17,5	6	
		20-3M-06	03M0620	6F	F07	20	19,10	18,34	23	13	9,8	17,5	6	
		21-3M-06	03M0621	6F	F08	21	20,05	19,29	25	13	9,8	17,5	6	
		22-3M-06	03M0622	6F	F08	22	21,01	20,25	25	13	9,8	17,5	6	
		24-3M-06	03M0624	6F	F08	24	22,92	22,16	25	13	9,8	17,5	6	
		26-3M-06	03M0626	6F	F09	26	24,83	24,07	28	16	9,8	17,5	6	
		28-3M-06	03M0628	6F	F10	28	26,74	25,98	32	18	9,8	17,5	6	
		30-3M-06	03M0630	6F	F10	30	28,65	27,89	32	20	9,8	17,5	6	
		32-3M-06	03M0632	6F	F12	32	30,56	29,80	36	22	9,8	17,5	6	
		36-3M-06	03M0636	6F	F14	36	34,38	33,62	38	26	10,3	18	6	
		40-3M-06	03M0640	6F	F15	40	38,20	37,44	42	28	10,3	18	6	
		44-3M-06	03M0644	6F	F18	44	42,02	41,26	48	33	10,3	18	6	
			WITHOUT FLANGES	48-3M-06	03M0648	6		48	45,84	45,08	—	33	10,3	18,6
		60-3M-06	03M0660	6		60	57,30	56,54	—	33	10,3	18,6	8	
		72-3M-06	03M0672	6		72	68,75	67,99	—	33	10,3	18,6	8	

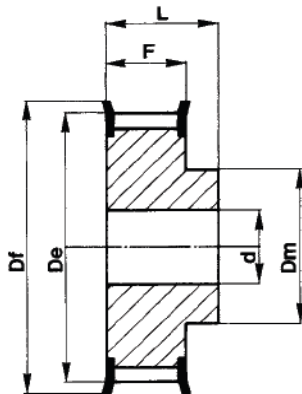
## HTD® 3M-09

FEATURES		CODE SYMBOL	OUR CODE	TYPE	FLANGES TYPE		Dp	De	Df	Dm	F	L	STOCK BORE	WEIGHT Kg
ALUMINIUM 6082 T6 UNI 9006/4	WITH FLANGES	10-3M-09	03M0910	1F	F01	10	9,55	8,79	13	6	10,2	17,5	4	0,004
		12-3M-09	03M0912	1F	F02	12	11,46	10,70	15	8	10,2	17,5	4	0,006
		14-3M-09	03M0914	1F	F03	14	13,37	12,61	16	9,5	10,2	17,5	4	0,007
		15-3M-09	03M0915	1F	F04	15	14,32	13,56	17,5	11,6	10,2	17,5	4	0,008
		16-3M-09	03M0916	6F	F05	16	15,28	14,52	18	10	12,8	20,6	4	0,007
		18-3M-09	03M0918	6F	F06	18	17,19	16,43	20	11	12,8	20,6	6	0,008
		20-3M-09	03M0920	6F	F07	20	19,10	18,34	23	13	12,8	20,6	6	0,010
		21-3M-09	03M0921	6F	F08	21	20,05	19,29	25	13	12,8	20,6	6	0,013
		22-3M-09	03M0922	6F	F08	22	21,01	20,25	25	13	12,8	20,6	6	0,014
		24-3M-09	03M0924	6F	F08	24	22,92	22,16	25	13	12,8	20,6	6	0,016
		26-3M-09	03M0926	6F	F09	26	24,83	24,07	28	16	12,8	20,6	6	0,018
		28-3M-09	03M0928	6F	F10	28	26,74	25,98	32	18	12,8	20,6	6	0,024
		30-3M-09	03M0930	6F	F10	30	28,65	27,89	32	20	12,8	20,6	6	0,028
		32-3M-09	03M0932	6F	F12	32	30,56	29,80	36	22	12,8	20,6	6	0,032
		36-3M-09	03M0936	6F	F14	36	34,38	33,62	38	26	13,4	22,2	6	0,045
		40-3M-09	03M0940	6F	F15	40	38,20	37,44	42	28	13,4	22,2	6	0,055
	44-3M-09	03M0944	6F	F18	44	42,02	41,26	48	33	13,4	22,2	6	0,074	
	WITHOUT FLANGES	48-3M-09	03M0948	6		48	45,84	45,08	—	33	13,4	22,2	8	0,074
		60-3M-09	03M0960	6		60	57,30	56,54	—	33	13,4	22,2	8	0,106
		72-3M-09	03M0972	6		72	68,75	67,99	—	33	13,4	22,2	8	0,145

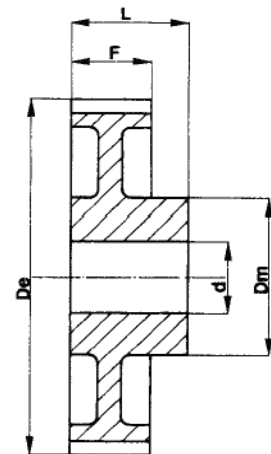
## HTD® 3M-15

FEATURES		CODE SYMBOL	OUR CODE	TIPO	FLANGES TYPE	N. OF TEETH	Dp	De	Df	Dm	F	L	STOCK BORE	WEIGHT Kg
ALUMINIUM 6082 T6 UNI 9006/4	WITH FLANGES	10-3M-15	03M1510	1F	F01	10	9,55	8,79	13	6	17	26	4	0,006
		12-3M-15	03M1512	1F	F02	12	11,46	10,70	15	8	17	26	4	0,008
		14-3M-15	03M1514	1F	F03	14	13,37	12,61	16	9,5	17	26	4	0,010
		15-3M-15	03M1515	1F	F04	15	14,32	13,56	17,5	11,6	17	26	4	0,012
		16-3M-15	03M1516	6F	F05	16	15,28	14,52	18	10	19,5	26	4	0,010
		18-3M-15	03M1518	6F	F06	18	17,19	16,43	20	11	19,5	26	6	0,012
		20-3M-15	03M1520	6F	F07	20	19,10	18,34	23	12	19,5	26	6	0,014
		21-3M-15	03M1521	6F	F08	21	20,05	19,29	25	13	19,5	26	6	0,016
		22-3M-15	03M1522	6F	F08	22	21,01	20,25	25	13	19,5	26	6	0,018
		24-3M-15	03M1524	6F	F08	24	22,92	22,16	25	13	19,5	26	6	0,020
		26-3M-15	03M1526	6F	F09	26	24,83	24,07	28	16	19,5	26	6	0,027
		28-3M-15	03M1528	6F	F10	28	26,74	25,98	32	18	19,5	26	6	0,030
		30-3M-15	03M1530	6F	F10	30	28,65	27,89	32	20	19,5	26	6	0,035
		32-3M-15	03M1532	6F	F12	32	30,56	29,80	36	22	19,5	26	6	0,042
		36-3M-15	03M1536	6F	F14	36	34,38	33,62	38	26	20	30	6	0,060
		40-3M-15	03M1540	6F	F15	40	38,20	37,44	42	28	20	30	6	0,075
	44-3M-15	03M1544	6F	F18	44	42,02	41,26	48	33	20	30	6	0,095	
	WITHOUT FLANGES	48-3M-15	03M1548	6		48	45,84	45,08	—	33	20	30	8	0,103
		60-3M-15	03M1560	6		60	57,30	56,54	—	33	20	30	8	0,150
		72-3M-15	03M1572	6		72	68,75	67,99	—	33	20	30	8	0,212

all4machines, ul. Konarzewskiego 42, 62-030 Luboń, NIP 779-224-61-85,  
+48 789 234 323, +48 798 788 625, fax +48 61 666 01 36, office@a4m.com.pl,  
<http://www.a4m.com.pl/>



TYPE 6F



TYPE 6W

## HTD® 5M-09

FEATURES		CODE SYMBOL	OUR CODE	TYPE	FLANGES TYPE	N. OF TEETH	Dp	De	Df	Dm	Di	F	L	STOCK BORE	WEIGHT Kg
STEEL	WITH FLANGES	12-5M-09	05M0912	6F	F07	12	19,10	17,96	23	12	—	14,5	20	4	0,028
		14-5M-09	05M0914	6F	F08	14	22,28	21,14	25	13	—	14,5	20	6	0,034
		15-5M-09	05M0915	6F	F09	15	23,87	22,73	28	16	—	14,5	20	6	0,042
		16-5M-09	05M0916	6F	F09	16	25,46	24,32	28	16,5	—	14,5	20	6	0,050
		18-5M-09	05M0918	6F	F10	18	28,65	27,51	32	20	—	14,5	20	6	0,070
		20-5M-09	05M0920	6F	F12	20	31,83	30,69	36	23	—	14,5	22,5	6	0,094
		21-5M-09	05M0921	6F	F14	21	33,42	32,28	38	24	—	14,5	22,5	6	0,110
		22-5M-09	05M0922	6F	F14	22	35,01	33,87	38	25,5	—	14,5	22,5	6	0,118
		24-5M-09	05M0924	6F	F15	24	38,20	37,06	42	27	—	14,5	22,5	6	0,145
		26-5M-09	05M0926	6F	F17	26	41,38	40,24	44	30	—	14,5	22,5	6	0,170
		28-5M-09	05M0928	6F	F18	28	44,56	43,42	48	30,5	—	14,5	22,5	6	0,200
		30-5M-09	05M0930	6F	F19	30	47,75	46,60	51	35	—	14,5	22,5	6	0,236
		32-5M-09	05M0932	6F	F20	32	50,93	49,79	54	38	—	14,5	22,5	8	0,210
36-5M-09	05M0936	6F	F22	36	57,30	56,16	60	38	—	14,5	22,5	8	0,324		
40-5M-09	05M0940	6F	F26	40	63,66	62,52	70	38	—	14,5	22,5	8	0,400		
ALUMINIUM	WITHOUT FLANGES	44-5M-09	05M0944	6W		44	70,03	68,89	—	38	54	14,5	25,5	8	0,170
		48-5M-09	05M0948	6W		48	76,39	75,25	—	45	61	14,5	25,5	8	0,182
		60-5M-09	05M0960	6W		60	95,46	94,35	—	45	80	14,5	25,5	8	0,230
		72-5M-09	05M0972	6W		72	114,59	113,45	—	45	100	14,5	25,5	8	0,270

all4machines, ul. Konarzewskiego 42, 62-030 Luboń, NIP 779-224-61-85,  
+48 789 234 323, +48 798 788 625, fax +48 61 666 01 36, office@a4m.com.pl,  
<http://www.a4m.com.pl/>

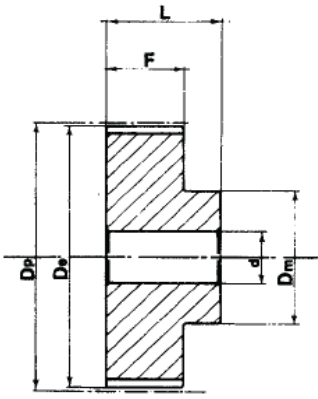
## HTD® 5M-15

FEATURES		CODE SYMBOL	OUR CODE	TYPE	FLANGES TYPE	N. OF TEETH	Dp	De	Df	Dm	Di	F	L	STOCK BORE	WEIGHT Kg
STEEL	WITH FLANGES	12-5M-15	05M1512	6F	F07	12	19,10	17,96	23	12	—	20,5	26	4	0,034
		14-5M-15	05M1514	6F	F08	14	22,28	21,14	25	13	—	20,5	26	6	0,046
		15-5M-15	05M1515	6F	F09	15	23,87	22,73	28	16	—	20,5	26	6	0,056
		16-5M-15	05M1516	6F	F09	16	25,46	24,32	28	16,5	—	20,5	26	6	0,064
		18-5M-15	05M1518	6F	F10	18	28,65	27,51	32	20	—	20,5	26	6	0,086
		20-5M-15	05M1520	6F	F12	20	31,83	30,69	36	23	—	20,5	26	6	0,112
		21-5M-15	05M1521	6F	F14	21	33,42	32,28	38	24	—	20,5	26	6	0,130
		22-5M-15	05M1522	6F	F14	22	35,01	33,87	38	25,5	—	20,5	26	6	0,140
		24-5M-15	05M1524	6F	F15	24	38,20	37,06	42	27	—	20,5	28	6	0,180
		26-5M-15	05M1526	6F	F17	26	41,38	40,24	44	30	—	20,5	28	6	0,220
		28-5M-15	05M1528	6F	F18	28	44,56	43,42	48	30,5	—	20,5	28	6	0,250
		30-5M-15	05M1530	6F	F19	30	47,75	46,60	51	35	—	20,5	28	6	0,300
		32-5M-15	05M1532	6F	F20	32	50,93	49,79	54	38	—	20,5	28	8	0,350
		36-5M-15	05M1536	6F	F24	36	57,30	56,16	60	38	—	20,5	28	8	0,426
		40-5M-15	05M1540	6F	F26	40	63,66	62,52	70	38	—	20,5	28	8	0,520
ALUMINIUM	WITHOUT FLANGES	44-5M-15	05M1544	6W		44	70,03	68,89	—	38	54	20,5	30	8	0,225
		48-5M-15	05M1548	6W		48	76,39	75,25	—	45	61	20,5	30	8	0,187
		60-5M-15	05M1560	6W		60	95,46	94,35	—	45	80	20,5	30	8	0,305
		72-5M-15	05M1572	6W		72	114,59	113,45	—	45	100	20,5	30	8	0,305

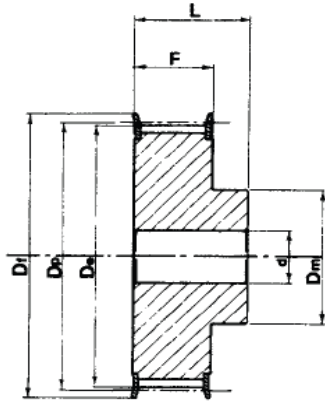
## HTD® 5M-25

FEATURES		CODE SYMBOL	OUR CODE	TYPE	FLANGES TYPE	N. OF TEETH	Dp	De	Df	Dm	Di	F	L	STOCK BORE	WEIGHT Kg
STEEL	WITH FLANGES	12-5M-25	05M2512	6F	F07	12	19,10	17,96	23	12	—	30,5	36	4	0,050
		14-5M-25	05M2514	6F	F08	14	22,28	21,14	25	13	—	30,5	36	6	0,070
		15-5M-25	05M2515	6F	F09	15	23,87	22,73	28	16	—	30,5	36	6	0,080
		16-5M-25	05M2516	6F	F09	16	25,46	24,32	28	16,5	—	30,5	36	6	0,100
		18-5M-25	05M2518	6F	F10	18	28,65	27,51	32	20	—	30,5	36	6	0,120
		20-5M-25	05M2520	6F	F12	20	31,83	30,69	36	23	—	30,5	36	6	0,160
		21-5M-25	05M2521	6F	F14	21	33,42	32,28	38	24	—	30,5	38	6	0,190
		22-5M-25	05M2522	6F	F14	22	35,01	33,87	38	25,5	—	30,5	38	6	0,210
		24-5M-25	05M2524	6F	F15	24	38,20	37,06	42	27	—	30,5	38	6	0,250
		26-5M-25	05M2526	6F	F17	26	41,38	40,24	44	30	—	30,5	38	6	0,300
		28-5M-25	05M2528	6F	F18	28	44,56	43,42	48	30,5	—	30,5	38	6	0,350
		30-5M-25	05M2530	6F	F19	30	47,75	46,60	51	35	—	30,5	38	6	0,420
		32-5M-25	05M2532	6F	F20	32	50,93	49,79	54	38	—	30,5	38	8	0,480
		36-5M-25	05M2536	6F	F22	36	57,30	56,16	60	38	—	30,5	38	8	0,590
		40-5M-25	05M2540	6F	F26	40	63,66	62,52	70	38	—	30,5	38	8	0,740
ALUMINIUM	WITHOUT FLANGES	44-5M-25	05M2544	6W		44	70,03	68,89	—	38	54	30,5	40	8	0,320
		48-5M-25	05M2548	6W		48	76,39	75,25	—	45	61	30,5	40	8	0,275
		60-5M-25	05M2560	6W		60	95,46	94,35	—	45	80	30,5	40	8	0,435
		72-5M-25	05M2572	6W		72	114,59	113,45	—	45	100	30,5	40	8	0,525

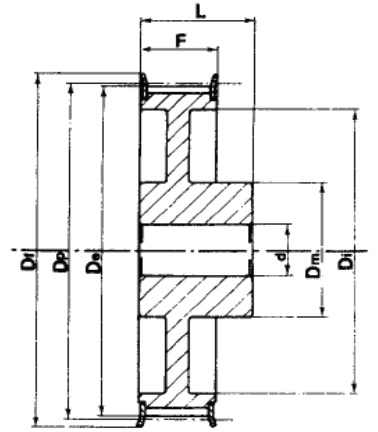
all4machines, ul. Konarzewskiego 42, 62-030 Luboń, NIP 779-224-61-85,  
+48 789 234 323, +48 798 788 625, fax +48 61 666 01 36, office@a4m.com.pl,  
<http://www.a4m.com.pl/>



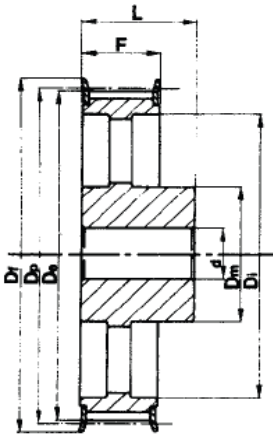
TYPE 6



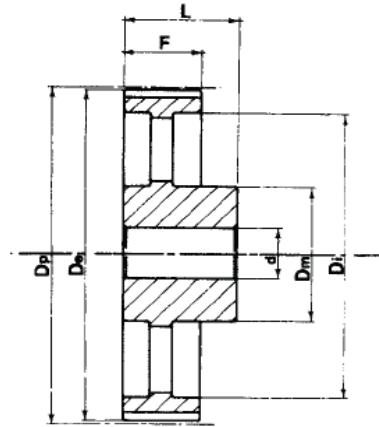
TYPE 6F



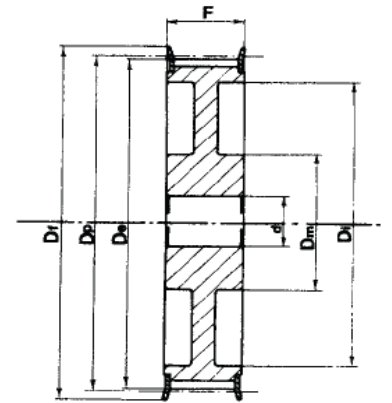
TYPE 6WF



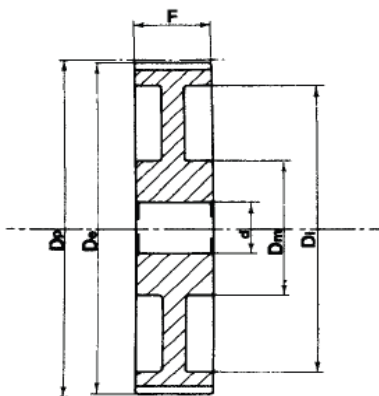
TYPE 6AF



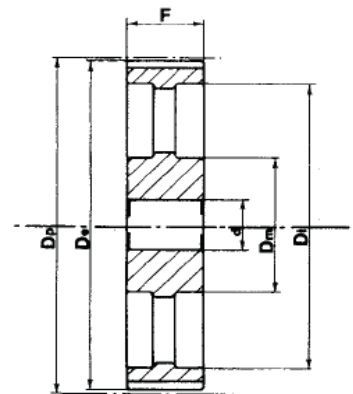
TYPE 6A



TYPE 10WF



TYPE 10W



TYPE 10A



## HTD® 8M-20

FEATURES		CODE SYMBOL	OUR CODE	TYPE	FLANGES TYPE	N. OF TEETH	Dp	De	Df	Dm	Di	F	L	d	WEIGHT Kg
STEEL	WITH FLANGES	22- 8M-20	08M2022	6F	F22	22	56,02	54,65	60	43	—	28	38	12	0,54
		24- 8M-20	08M2024	6F	F25	24	61,12	59,75	66	45	—	28	38	12	0,65
		26- 8M-20	08M2026	6F	F26	26	66,21	64,84	70	48	—	28	38	12	0,80
		28- 8M-20	08M2028	6F	F27	28	71,30	70,08	75	50	—	28	38	15	0,87
		30- 8M-20	08M2030	6F	F29	30	76,39	75,13	83	55	—	28	38	15	1,02
		32- 8M-20	08M2032	6F	F30	32	81,49	80,16	87	60	—	28	38	15	1,20
		34- 8M-20	08M2034	6F	F31	34	86,58	85,22	91	70	—	28	38	15	1,40
		36- 8M-20	08M2036	6F	F33	36	91,67	90,30	97	75	—	28	38	15	1,55
		38- 8M-20	08M2038	6F	F34	38	96,77	95,39	102	75	—	28	38	15	1,65
		40- 8M-20	08M2040	6F	F35	40	101,86	100,49	106	75	—	28	38	15	1,74
		44- 8M-20	08M2044	6F	F38	44	112,05	110,67	120	75	—	28	38	15	2,10
		48- 8M-20	08M2048	6F	F40	48	122,23	120,86	128	75	—	28	38	15	2,44
		56- 8M-20	08M2056	6WF	F48	56	142,60	141,23	150	80	116	28	38	15	2,60
		64- 8M-20	08M2064	6WF	F52	64	162,97	161,60	168	80	137	28	38	15	2,90
72- 8M-20	08M2072	6WF	F57	72	183,35	181,97	192	80	158	28	38	15	3,10		
CAST IRON	WITHOUT FLANGES	80- 8M-20	08M2080	6W		80	203,72	202,35	—	90	180	28	38	15	3,80
		90- 8M-20	08M2090	6A		90	229,18	227,81	—	90	204	28	38	15	4,20
		112- 8M-20	08M2011	6A		112	285,21	283,83	—	90	254	28	38	18	5,20
		144- 8M-20	08M2014	6A		144	366,69	365,32	—	90	336	28	38	20	7,50
		168- 8M-20	08M2016	6A		168	427,81	426,44	—	100	400	28	38	20	10,00
		192- 8M-20	08M2019	6A		192	488,92	487,55	—	100	460	28	38	20	14,40

## HTD® 8M-30

FEATURES		CODE SYMBOL	OUR CODE	TYPE	FLANGES TYPE	N. OF TEETH	Dp	De	Df	Dm	Di	F	L	d	WEIGHT Kg
STEEL	WITH FLANGES	22- 8M-30	08M3022	6F	F22	22	56,02	54,65	60	43	—	38	48	12	0,69
		24- 8M-30	08M3024	6F	F25	24	61,12	59,75	66	45	—	38	48	12	0,84
		26- 8M-30	08M3026	6F	F26	26	66,21	64,84	70	48	—	38	48	12	1,00
		28- 8M-30	08M3028	6F	F27	28	71,30	70,08	75	50	—	38	48	15	1,12
		30- 8M-30	08M3030	6F	F29	30	76,39	75,13	83	55	—	38	48	15	1,32
		32- 8M-30	08M3032	6F	F30	32	81,49	80,16	87	60	—	38	48	15	1,53
		34- 8M-30	08M3034	6F	F31	34	86,58	85,22	91	70	—	38	48	15	1,80
		36- 8M-30	08M3036	6F	F33	36	91,67	90,30	97	75	—	38	48	15	1,99
		38- 8M-30	08M3038	6F	F34	38	96,77	95,39	102	75	—	38	48	15	2,27
		40- 8M-30	08M3040	6F	F35	40	101,86	100,49	106	75	—	38	48	15	2,40
		44- 8M-30	08M3044	6F	F38	44	112,05	110,67	120	75	—	38	48	15	2,80
		48- 8M-30	08M3048	6F	F40	48	122,23	120,86	128	75	—	38	48	15	3,20
CAST IRON	WITHOUT FLANGES	56- 8M-30	08M3056	6WF	F48	56	142,60	141,23	150	90	116	38	48	15	3,60
		64- 8M-30	08M3064	6WF	F52	64	162,97	161,60	168	90	137	38	48	15	4,30
		72- 8M-30	08M3072	6WF	F57	72	183,35	181,97	192	95	158	38	48	15	4,80
		80- 8M-30	08M3080	6W		80	203,72	202,35	—	100	180	38	48	15	5,10
		90- 8M-30	08M3090	6A		90	229,18	227,81	—	100	204	38	48	15	5,70
		112- 8M-30	08M3011	6A		112	285,21	283,83	—	100	254	38	48	18	6,80
144- 8M-30	08M3014	6A		144	366,69	365,32	—	100	336	38	48	20	9,30		
168- 8M-30	08M3016	6A		168	427,81	426,44	—	100	400	38	48	20	11,40		
192- 8M-30	08M3019	6A		192	488,92	487,55	—	100	460	38	48	20	16,00		

all4machines, ul. Konarzewskiego 42, 62-030 Luboń, NIP 779-224-61-85,  
+48 789 234 323, +48 798 788 625, fax +48 61 666 01 36, office@a4m.com.pl,  
<http://www.a4m.com.pl/>

## HTD® 8M-50

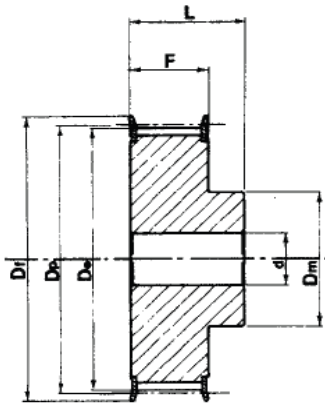
FEATURES		CODE SYMBOL	OUR CODE	TYPE	FLANGES TYPE	N. OF TEETH	Dp	De	Df	Dm	Di	F	L	d	WEIGHT Kg
STEEL	WITH FLANGES	22-8M-50	08M5022	6F	F22	22	56,02	54,65	60	43	—	60	70	12	1,00
		24-8M-50	08M5024	6F	F25	24	61,12	59,75	66	45	—	60	70	12	1,23
		26-8M-50	08M5026	6F	F26	26	66,21	64,84	70	48	—	60	70	15	1,50
		28-8M-50	08M5028	6F	F27	28	71,30	70,08	75	50	—	60	70	15	1,67
		30-8M-50	08M5030	6F	F29	30	76,39	75,13	83	55	—	60	70	15	1,97
		32-8M-50	08M5032	6F	F30	32	81,49	80,16	87	60	—	60	70	15	2,27
		34-8M-50	08M5034	6F	F31	34	86,58	85,22	91	66	—	60	70	15	2,69
		36-8M-50	08M5036	6F	F33	36	91,67	90,30	97	70	—	60	70	15	2,97
		38-8M-50	08M5038	6F	F34	38	96,77	95,39	102	75	—	60	70	15	3,23
		40-8M-50	08M5040	6F	F35	40	101,86	100,49	106	75	—	60	70	18	3,50
		44-8M-50	08M5044	6F	F38	44	112,05	110,67	120	75	—	60	70	18	3,90
		48-8M-50	08M5048	6F	F40	48	122,23	120,86	128	80	—	60	70	18	4,30
		56-8M-50	08M5056	10WF	F48	56	142,60	141,23	150	90	116	60	60	18	5,00
		64-8M-50	08M5064	10WF	F52	64	162,97	161,60	168	100	137	60	60	18	5,60
		72-8M-50	08M5072	10WF	F57	72	183,35	181,97	192	100	158	60	60	18	6,80
CAST IRON	WITHOUT FLANGES	80-8M-50	08M5080	10W		80	203,72	202,35	—	110	180	60	60	18	6,90
		90-8M-50	08M5090	10A		90	229,18	227,81	—	110	204	60	60	18	8,60
		112-8M-50	08M5011	10A		112	285,21	283,83	—	110	254	60	60	18	9,60
		144-8M-50	08M5014	10A		144	366,69	365,32	—	110	336	60	60	20	13,80
		168-8M-50	08M5016	10A		168	427,81	426,44	—	120	400	60	60	20	16,00
		192-8M-50	08M5019	10A		192	488,92	487,55	—	130	460	60	60	20	22,40

## HTD® 8M-85

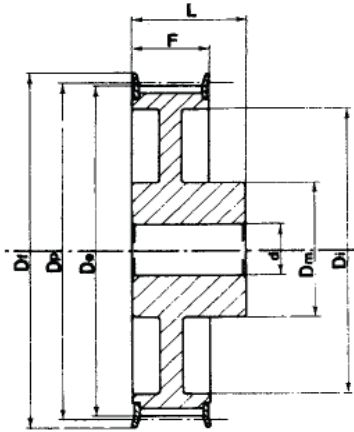
FEATURES		CODE SYMBOL	OUR CODE	TYPE	FLANGES TYPE	N. OF TEETH	Dp	De	Df	Dm	Di	F	L	d	WEIGHT Kg
STEEL	WITH FLANGES	22-8M-85	08M8522	6F	F22	22	56,02	54,65	60	43	—	95	105	12	1,55
		24-8M-85	08M8524	6F	F25	24	61,12	59,75	66	45	—	95	105	12	1,90
		26-8M-85	08M8526	6F	F26	26	66,21	64,84	70	48	—	95	105	12	2,25
		28-8M-85	08M8528	6F	F27	28	71,30	70,08	75	50	—	95	105	15	2,55
		30-8M-85	08M8530	6F	F29	30	76,39	75,13	83	55	—	95	105	15	3,00
		32-8M-85	08M8532	6F	F30	32	81,49	80,16	87	60	—	95	105	15	3,57
		34-8M-85	08M8534	6F	F31	34	86,58	85,22	91	66	—	95	105	15	4,00
		36-8M-85	08M8536	6F	F33	36	91,67	90,30	97	70	—	95	105	15	4,50
		38-8M-85	08M8538	6F	F34	38	96,77	95,39	102	75	—	95	105	15	5,00
		40-8M-85	08M8540	6F	F35	40	101,86	100,49	106	75	—	95	105	18	5,20
		44-8M-85	08M8544	6F	F38	44	112,05	110,67	120	75	—	95	105	18	6,60
		48-8M-85	08M8548	6F	F40	48	122,23	120,86	128	80	—	95	105	18	7,00
		56-8M-85	08M8556	6F	F48	56	142,60	141,23	150	90	—	95	105	18	10,00
		64-8M-85	08M8564	10WF	F52	64	162,97	161,60	168	100	137	95	95	20	10,40
		72-8M-85	08M8572	10WF	F57	72	183,35	181,97	192	100	158	95	95	20	11,40
CAST IRON	WITHOUT FLANGES	80-8M-85	08M8580	10W		80	203,72	202,35	—	110	180	95	95	20	11,10
		90-8M-85	08M8590	10A		90	229,18	227,81	—	110	204	95	95	20	12,20
		112-8M-85	08M8511	10A		112	285,21	283,83	—	110	254	95	95	24	15,00
		144-8M-85	08M8514	10A		144	366,69	365,32	—	110	336	95	95	24	21,50
		168-8M-85	08M8516	10A		168	427,81	426,44	—	120	400	95	95	24	24,10
		192-8M-85	08M8519	10A		192	488,92	487,55	—	130	460	95	95	24	30,60

all4machines, ul. Konarzewskiego 42, 62-030 Luboń, NIP 779-224-61-85,  
+48 789 234 323, +48 798 788 625, fax +48 61 666 01 36, office@a4m.com.pl,  
<http://www.a4m.com.pl/>

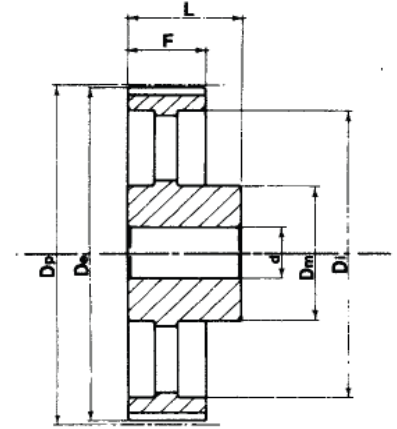




TYPE 6F



TYPE 6WF



TYPE 6A

## HTD® 14M-40

FEATURES	CODE SYMBOL	OUR CODE	TYPE	FLANGES TYPE	N. OF TEETH	Dp	De	Df	Dm	Di	F	L	d	PESO	
														Kg	
STEEL	WITH FLANGES	28-14M-40	14M4028	6F	F40	28	124,78	122,12	128	100	—	54	69	24	4,73
		29-14M-40	14M4029	6F	F43	29	129,23	126,57	138	100	—	54	69	24	5,09
		30-14M-40	14M4030	6F	F43	30	133,69	130,99	138	100	—	54	69	24	5,45
		32-14M-40	14M4032	6F	F49	32	142,60	139,88	154	100	—	54	69	24	6,17
		34-14M-40	14M4034	6F	F51	34	151,52	148,79	160	100	—	54	69	24	6,88
		36-14M-40	14M4036	6F	F52	36	160,43	157,68	168	100	—	54	69	24	7,60
		38-14M-40	14M4038	6F	F81	38	169,34	166,60	184	120	—	54	69	24	8,28
		40-14M-40	14M4040	6F	F56	40	178,25	175,49	188	120	—	54	69	24	9,26
		44-14M-40	14M4044	6F	F61	44	196,08	193,28	212	120	—	54	69	24	10,32
		CAST IRON	WITH FLANGES	48-14M-40	14M4048	6WF	F62	48	213,90	211,11	226	135	170	54	69
56-14M-40	14M4056			6WF	F66	56	249,55	246,76	256	135	207	54	69	28	13,05
64-14M-40	14M4064			6WF	F70	64	285,21	282,41	296	135	240	54	69	28	14,40
WITHOUT FLANGES	72-14M-40		14M4072	6A		72	320,86	318,06	—	135	278	54	69	28	16,90
	80-14M-40		14M4080	6A		80	356,51	353,71	—	135	314	54	69	28	18,50
	90-14M-40		14M4090	6A		90	401,07	398,28	—	135	358	54	69	28	20,00
	112-14M-40		14M4011	6A		112	499,11	496,32	—	135	456	54	69	28	26,70
	144-14M-40		14M4014	6A		144	641,71	638,92	—	135	600	54	69	28	35,00
	168-14M-40		14M4016	6A		168	748,66	745,87	—	135	706	54	69	28	44,20
	192-14M-40		14M4019	6A		192	855,62	852,82	—	135	813	54	69	28	52,20
216-14M-40	14M4021	6A		216	962,57	959,76	—	150	920	54	69	28	62,50		

all4machines, ul. Konarzewskiego 42, 62-030 Luboń, NIP 779-224-61-85,  
+48 789 234 323, +48 798 788 625, fax +48 61 666 01 36, office@a4m.com.pl,  
<http://www.a4m.com.pl/>

## HTD® 14M-55

FEATURES		CODE SYMBOL	OUR CODE	TYPE	FLANGES TYPE	N. OF TEETH	Dp	De	Df	Dm	Di	F	L	d	WEIGHT Kg
STEEL	WITH FLANGES	28-14M-55	14M5528	6F	F40	28	124,78	122,12	128	100	—	70	85	24	5,60
		29-14M-55	14M5529	6F	F43	29	129,23	126,57	138	100	—	70	85	24	6,10
		30-14M-55	14M5530	6F	F43	30	133,69	130,99	138	100	—	70	85	24	6,60
		32-14M-55	14M5532	6F	F49	32	142,60	139,88	154	100	—	70	85	24	7,60
		34-14M-55	14M5534	6F	F51	34	151,52	148,79	160	100	—	70	85	24	8,60
		36-14M-55	14M5536	6F	F52	36	160,43	157,68	168	100	—	70	85	24	9,60
		38-14M-55	14M5538	6F	F81	38	169,34	166,60	184	120	—	70	85	24	10,80
		40-14M-55	14M5540	6F	F56	40	178,25	175,49	188	120	—	70	85	24	11,20
		44-14M-55	14M5544	6F	F61	44	196,08	193,28	212	120	—	70	85	24	12,50
		CAST IRON	WITH FLANGES	48-14M-55	14M5548	10WF	F62	48	213,90	211,11	226	135	170	70	70
56-14M-55	14M5556			10WF	F66	56	249,55	246,76	256	135	207	70	70	28	14,50
64-14M-55	14M5564			10WF	F70	64	285,21	282,41	296	135	240	70	70	28	15,60
WITHOUT FLANGES	72-14M-55		14M5572	10A		72	320,86	318,06	—	135	278	70	70	28	16,90
	80-14M-55		14M5580	10A		80	356,51	353,71	—	135	314	70	70	28	20,00
	90-14M-55		14M5590	10A		90	401,07	398,28	—	135	358	70	70	28	22,60
	112-14M-55		14M5511	10A		112	499,11	496,32	—	135	456	70	70	28	29,50
	144-14M-55		14M5514	10A		144	641,71	638,92	—	135	600	70	70	28	39,00
	168-14M-55		14M5516	10A		168	748,66	745,87	—	135	706	70	70	28	48,50
	192-14M-55		14M5519	10A		192	855,62	852,82	—	135	813	70	70	28	57,80
	216-14M-55		14M5521	10A		216	962,57	959,76	—	150	920	70	70	28	67,00

## HTD® 14M-85

FEATURES		CODE SYMBOL	OUR CODE	TYPE	FLANGES TYPE	N. OF TEETH	Dp	De	Df	Dm	Di	F	L	d	WEIGHT Kg
STEEL	WITH FLANGES	28-14M-85	14M8528	6F	F40	28	124,78	122,12	128	100	—	102	117	24	7,70
		29-14M-85	14M8529	6F	F43	29	129,23	126,57	138	100	—	102	117	24	8,40
		30-14M-85	14M8530	6F	F43	30	133,69	130,99	138	100	—	102	117	24	9,10
		32-14M-85	14M8532	6F	F49	32	142,60	139,88	154	100	—	102	117	24	10,50
		34-14M-85	14M8534	6F	F51	34	151,52	148,79	160	100	—	102	117	24	11,90
		36-14M-85	14M8536	6F	F52	36	160,43	157,68	168	100	—	102	117	32	13,20
		38-14M-85	14M8538	6F	F81	38	169,34	166,60	184	120	—	102	117	32	15,15
		40-14M-85	14M8540	6F	F56	40	178,25	175,49	188	135	—	102	117	32	17,10
		44-14M-85	14M8544	6F	F61	44	196,08	193,28	212	135	—	102	117	32	23,30
		48-14M-85	14M8548	6F	F62	48	213,90	211,11	226	150	—	102	117	32	25,00
CAST IRON	WITH FLANGES	56-14M-85	14M8556	10WF	F66	56	249,55	246,76	256	150	207	102	117	32	25,00
		64-14M-85	14M8564	10WF	F70	64	285,21	282,41	296	150	240	102	102	32	30,50
		72-14M-85	14M8572	10A		72	320,86	318,06	—	150	278	102	102	32	28,80
	WITHOUT FLANGES	80-14M-85	14M8580	10A		80	356,51	353,71	—	150	314	102	102	32	30,10
		90-14M-85	14M8590	10A		90	401,07	398,28	—	150	358	102	102	32	33,00
		112-14M-85	14M8511	10A		112	499,11	496,32	—	150	456	102	102	32	41,80
		144-14M-85	14M8514	10A		144	641,71	638,92	—	150	600	102	102	32	52,40
		168-14M-85	14M8516	10A		168	748,66	745,87	—	150	706	102	102	32	60,30
		192-14M-85	14M8519	10A		192	855,62	852,82	—	165	813	102	102	32	70,20
		216-14M-85	14M8521	10A		216	962,57	959,76	—	165	920	102	102	32	81,00

all4machines, ul. Konarzewskiego 42, 62-030 Luboń, NIP 779-224-61-85,  
+48 789 234 323, +48 798 788 625, fax +48 61 666 01 36, office@a4m.com.pl,  
<http://www.a4m.com.pl/>

## HTD® 14M-115

FEATURES		CODE SYMBOL	OUR CODE	TYPE	FLANGES TYPE	N. OF TEETH	Dp	De	Df	Dm	Di	F	L	d	WEIGHT Kg
STEEL	WITH FLANGES	28-14M-115	14M1128	6F	F40	28	124,78	122,12	128	100	—	133	148	32	9,20
		29-14M-115	14M1129	6F	F43	29	129,23	126,57	138	100	—	133	148	32	10,20
		30-14M-115	14M1130	6F	F43	30	133,69	130,99	138	100	—	133	148	32	11,20
		32-14M-115	14M1132	6F	F49	32	142,60	139,88	154	100	—	133	148	32	13,20
		34-14M-115	14M1134	6F	F51	34	151,52	148,79	160	100	—	133	148	32	14,80
		36-14M-115	14M1136	6F	F52	36	160,43	157,68	168	100	—	133	148	32	16,60
		38-14M-115	14M1138	6F	F81	38	169,34	166,60	184	120	—	133	148	32	19,20
		40-14M-115	14M1140	6F	F56	40	178,25	175,49	188	135	—	133	148	32	20,56
		44-14M-115	14M1144	6F	F61	44	196,08	193,28	212	140	—	133	148	32	21,93
		48-14M-115	14M1148	6F	F62	48	213,90	211,11	226	150	—	133	148	32	25,00
		56-14M-115	14M1156	6F	F66	56	249,55	246,76	256	150	—	133	148	32	27,50
CAST IRON	WITHOUT FLANGES	64-14M-115	14M1164	10WF	F70	64	285,21	282,41	296	150	240	133	133	32	30,10
		72-14M-115	14M1172	10A		72	320,86	318,06	—	150	278	133	133	32	32,83
		80-14M-115	14M1180	10A		80	356,51	353,71	—	150	314	133	133	32	35,55
		90-14M-115	14M1190	10A		90	401,07	398,28	—	150	358	133	133	32	41,00
		112-14M-115	14M1111	10A		112	499,11	496,32	—	150	456	133	133	32	54,40
		144-14M-115	14M1114	10A		144	641,71	638,92	—	165	600	133	133	32	67,80
		168-14M-115	14M1116	10A		168	748,66	745,87	—	165	706	133	133	32	75,80
		192-14M-115	14M1119	10A		192	855,62	852,82	—	165	813	133	133	32	88,30
		216-14M-115	14M1121	10A		216	962,57	959,76	—	165	920	133	133	32	98,00

## HTD® 14M-170

FEATURES		CODE SYMBOL	OUR CODE	TYPE	FLANGES TYPE	N. OF TEETH	Dp	De	Df	Dm	Di	F	L	d	WEIGHT Kg
STEEL	WITH FLANGES	28-14M-170	14M1728	6F	F40	28	124,78	122,12	128	100	—	187	202	32	9,20
		29-14M-170	14M1729	6F	F43	29	129,23	126,57	138	100	—	187	202	32	10,20
		30-14M-170	14M1730	6F	F43	30	133,69	130,99	138	100	—	187	202	32	11,20
		32-14M-170	14M1732	6F	F49	32	142,60	139,88	154	100	—	187	202	32	13,20
		34-14M-170	14M1734	6F	F51	34	151,52	148,79	160	100	—	187	202	32	14,80
		36-14M-170	14M1736	6F	F52	36	160,43	157,68	168	100	—	187	202	32	16,60
		38-14M-170	14M1738	6F	F81	38	169,34	166,60	184	120	—	187	202	32	19,20
		40-14M-170	14M1740	6F	F56	40	178,25	175,49	188	135	—	187	202	32	20,56
		44-14M-170	14M1744	6F	F61	44	196,08	193,28	212	140	—	187	202	32	21,93
		48-14M-170	14M1748	6F	F62	48	213,90	211,11	226	150	—	187	202	32	25,00
		56-14M-170	14M1756	6F	F66	56	249,55	246,76	256	150	—	187	202	32	27,50
CAST IRON	WITHOUT FLANGES	64-14M-170	14M1764	10WF	F70	64	285,21	282,41	296	150	240	187	202	32	30,10
		72-14M-170	14M1772	10A		72	320,86	318,06	—	150	278	187	187	32	32,83
		80-14M-170	14M1780	10A		80	356,51	353,71	—	150	314	187	187	32	35,55
		90-14M-170	14M1790	10A		90	401,07	398,28	—	150	358	187	187	32	41,00
		112-14M-170	14M1711	10A		112	499,11	496,32	—	150	456	187	187	32	54,40
		144-14M-170	14M1714	10A		144	641,71	638,92	—	165	600	187	187	32	67,80
		168-14M-170	14M1716	10A		168	748,66	745,87	—	165	706	187	187	32	75,80
		192-14M-170	14M1719	10A		192	855,62	852,82	—	165	813	187	187	32	88,30
		216-14M-170	14M1721	10A		216	962,57	959,76	—	165	920	187	187	32	98,00

all4machines, ul. Konarzewskiego 42, 62-030 Luboń, NIP 779-224-61-85,  
+48 789 234 323, +48 798 788 625, fax +48 61 666 01 36, office@a4m.com.pl,  
<http://www.a4m.com.pl/>

## HTD® 20M-115

FEATURES		CODE SYMBOL	OUR CODE	TYPE	FLANGES TYPE	N. OF TEETH	Dp	De	Df	Dm	Di	F	L	e	d	WEIGHT Kg
CAST IRON	WITH FLANGES	34-20M-115	20M1134	6F	F64	34	216,45	212,13	240	165	-	136,5	168,5	-	32	39
		36-20M-115	20M1136	6F	F65	36	229,18	224,87	250	178	-	136,5	168,5	-	32	44
		38-20M-115	20M1138	6F	F67	38	241,92	237,60	265	181	-	136,5	168,5	-	32	49
		40-20M-115	20M1140	6F	F68	40	254,65	250,33	275	203	-	136,5	168,5	-	32	
		44-20M-115	20M1144	6F	F71	44	280,11	275,79	300	210	-	136,5	168,5	-	32	
		48-20M-115	20M1148	6F	F72	48	305,58	301,26	325	228	-	136,5	168,5	-	32	
		52-20M-115	20M1152	6F	F73	52	331,04	326,72	350	228	-	136,5	168,5	-	32	
		56-20M-115	20M1156	6F	F74	56	356,51	352,19	375	228	-	136,5	168,5	-	32	
		60-20M-115	20M1160	6WF	F75	60	381,97	377,65	405	228	318	136,5	168,5	-	38	
		64-20M-115	20M1164	6WF	F76	64	407,44	403,12	430	228	343	136,5	168,5	-	38	
	68-20M-115	20M1168	6WF	F77	68	432,90	428,58	455	228	366	136,5	168,5	-	38		
	72-20M-115	20M1172	6AF	F78	72	458,37	454,05	480	228	435	136,5	168,5	-	38		
	80-20M-115	20M1180	6AF	F79	80	509,30	504,98	530	280	445	136,5	168,5	-	38		
	90-20M-115	20M1190	6AF	F80	90	572,96	568,64	595	280	508	136,5	168,5	-	38		
	WITHOUT FLANGES	112-20M-115	20M1111	6A		112	713,01	708,70	-	280	648	136,5	168,5	-	38	
		144-20M-115	20M1114	6A		144	916,73	912,41	-	300	852	136,5	168,5	-	44	
		168-20M-115	20M1116	6A		168	1069,52	1065,21	-	300	1005	136,5	168,5	-	44	
		192-20M-115	20M1119	6A		192	1222,31	1218,00	-	300	1158	136,5	168,5	-	48	
		216-20M-115	20M1121	6A		216	1375,10	1370,78	-	300	1300	136,5	168,5	-	48	

## HTD® 20M-170

FEATURES		CODE SYMBOL	OUR CODE	TYPE	FLANGES TYPE	N. OF TEETH	Dp	De	Df	Dm	Di	F	L	e	d	WEIGHT Kg
CAST IRON	WITH FLANGES	34-20M-170	20M1734	6F	F64	34	216,45	212,13	240	165	-	190,5	222,5	-	32	44,8
		36-20M-170	20M1736	6F	F65	36	229,18	224,87	250	178	-	190,5	222,5	-	32	50,5
		38-20M-170	20M1738	6F	F67	38	241,92	237,60	265	181	-	190,5	222,5	-	32	55,0
		40-20M-170	20M1740	6F	F68	40	254,65	250,33	275	203	-	190,5	222,5	-	32	
		44-20M-170	20M1744	6F	F71	44	280,11	275,79	300	210	-	190,5	222,5	-	32	
		48-20M-170	20M1748	6F	F72	48	305,58	301,26	325	240	-	190,5	222,5	-	32	
		52-20M-170	20M1752	6F	F73	52	331,04	326,72	350	280	-	190,5	222,5	-	32	
		56-20M-170	20M1756	6F	F74	56	356,51	352,19	375	280	-	190,5	222,5	-	32	
		60-20M-170	20M1760	6F	F75	60	381,97	377,65	405	280	-	190,5	222,5	-	38	
		64-20M-170	20M1764	6F	F76	64	407,44	403,12	430	280	-	190,5	222,5	-	38	
	68-20M-170	20M1768	6F	F77	68	432,90	428,58	455	280	-	190,5	222,5	-	38		
	72-20M-170	20M1772	10AF	F78	72	458,37	454,05	480	280	394	190,5	190,5	-	38		
	80-20M-170	20M1780	10AF	F79	80	509,30	504,98	530	280	445	190,5	190,5	-	38		
	90-20M-170	20M1790	10AF	F80	90	572,96	568,64	595	280	508	190,5	190,5	-	38		
	WITHOUT FLANGES	112-20M-170	20M1711	10A		112	713,01	708,70	-	300	648	190,5	190,5	-	38	
		144-20M-170	20M1714	10A		144	916,73	912,41	-	300	852	190,5	190,5	-	44	
		168-20M-170	20M1716	10A		168	1069,52	1065,21	-	350	1005	190,5	190,5	-	44	
		192-20M-170	20M1719	10A		192	1222,31	1218,00	-	350	1158	190,5	190,5	-	48	
		216-20M-170	20M1721	10A		216	1375,10	1370,78	-	350	1300	190,5	190,5	-	48	

all4machines, ul. Konarzewskiego 42, 62-030 Luboń, NIP 779-224-61-85,  
+48 789 234 323, +48 798 788 625, fax +48 61 666 01 36, office@a4m.com.pl,  
<http://www.a4m.com.pl/>



## HTD® 20M-230

FEATURES		CODE SYMBOL	OUR CODE	TYPE	FLANGES TYPE	N. OF TEETH	Dp	De	Df	Dm	Di	F	L	e	d	WEIGHT Kg
CAST IRON	WITH FLANGES	38-20M-230	20M2338	6F	F67	38	241,92	237,60	265	181	-	250,8	282,8	-	38	67,5
		40-20M-230	20M2340	6F	F68	40	254,65	250,33	275	203	-	250,8	282,8	-	38	
		44-20M-230	20M2344	6F	F71	44	280,11	275,79	300	210	-	250,8	282,8	-	38	
		48-20M-230	20M2348	6F	F72	48	305,58	301,26	325	228	-	250,8	282,8	-	38	
		52-20M-230	20M2352	6F	F73	52	331,04	326,72	350	280	-	250,8	282,8	-	38	
		56-20M-230	20M2356	6F	F74	56	356,51	352,19	375	280	-	250,8	282,8	-	32	
		60-20M-230	20M2360	6F	F75	60	381,97	377,65	405	280	-	250,8	282,8	-	38	
		64-20M-230	20M2364	6F	F76	64	407,44	403,12	430	300	-	250,8	282,8	-	38	
		68-20M-230	20M2368	6F	F77	68	432,90	428,58	455	300	-	250,8	282,8	-	38	
		72-20M-230	20M2372	6F	F78	72	458,37	454,05	480	300	-	250,8	282,8	-	38	
	80-20M-230	20M2380	10WF	F79	80	509,30	504,98	530	300	445	250,8	250,8	-	38		
	90-20M-230	20M2390	10AF	F80	90	572,96	568,64	595	300	508	250,8	250,8	-	38		
	WITHOUT FLANGES	112-20M-230	20M2311	10A		112	713,01	708,70	-	300	648	250,8	250,8	-	38	
		144-20M-230	20M2314	10A		144	916,73	912,41	-	350	852	250,8	250,8	-	44	
		168-20M-230	20M2316	10A		168	1069,52	1065,21	-	350	1005	250,8	250,8	-	44	
		192-20M-230	20M2319	10A		192	1222,31	1218,00	-	400	1158	250,8	250,8	-	48	
		216-20M-230	20M2321	10A		216	1375,10	1370,78	-	400	1300	250,8	250,8	-	48	

## HTD® 20M-290

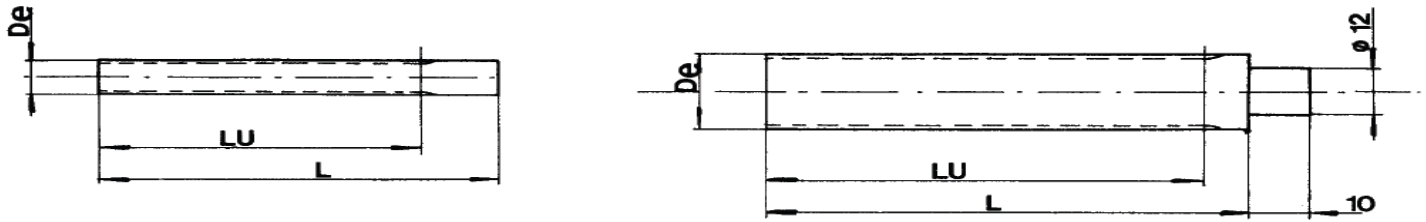
FEATURES		CODE SYMBOL	OUR CODE	TYPE	FLANGES TYPE	N. OF TEETH	Dp	De	Df	Dm	Di	F	L	e	d	WEIGHT Kg	
CAST IRON	WITH FLANGES	52-20M-290	20M2952	6F	F73	52	331,04	326,72	350	280	-	311,2	343	-	38		
		56-20M-290	20M2956	6F	F74	56	356,51	352,19	375	280	-	311,2	343	-	38		
		60-20M-290	20M2960	6F	F75	60	381,97	377,65	405	300	-	311,2	343	-	38		
		64-20M-290	20M2964	6F	F76	64	407,44	403,12	430	300	-	311,2	343	-	38		
		68-20M-290	20M2968	6F	F77	68	432,90	428,58	455	300	-	311,2	343	-	38		
		72-20M-290	20M2972	6F	F78	72	458,37	454,05	480	300	-	311,2	343	-	44		
		80-20M-290	20M2980	6F	F79	80	509,30	504,98	530	300	-	311,2	343	-	44		
		90-20M-290	20M2990	10WF	F80	90	572,96	568,64	595	300	508	311,2	311,2	-	44		
		WITHOUT FLANGES	112-20M-290	20M2911	10A		112	713,01	708,70	-	350	648	311,2	311,2	-		48
			144-20M-290	20M2914	10A		144	916,73	912,41	-	350	852	311,2	311,2	-		48
	168-20M-290		20M2916	10A		168	1069,52	1065,21	-	400	1005	311,2	311,2	-	48		
	192-20M-290		20M2919	10A		192	1222,31	1218,00	-	400	1158	311,2	311,2	-	48		
	216-20M-290		20M2921	10A		216	1375,10	1370,78	-	400	1300	311,2	311,2	-	48		



## HTD® 20M-340

FEATURES		CODE SYMBOL	OUR CODE	TYPE	FLANGES TYPE	N. OF TEETH	Dp	De	Df	Dm	Di	F	L	e	d	WEIGHT Kg
CAST IRON	WITH FLANGES	<b>52-20M-340</b>	<b>20M3452</b>	6F	F73	52	331,04	326,72	350	280	-	362	394	-	38	
		<b>56-20M-340</b>	<b>20M3456</b>	6F	F74	56	356,51	352,19	375	280	-	362	394	-	38	
		<b>60-20M-340</b>	<b>20M3460</b>	6F	F75	60	381,97	377,65	405	300	-	362	394	-	38	
		<b>64-20M-340</b>	<b>20M3464</b>	6F	F76	64	407,44	403,12	430	300	-	362	394	-	44	
		<b>68-20M-340</b>	<b>20M3468</b>	6F	F77	68	432,90	428,58	455	300	-	362	394	-	44	
		<b>72-20M-340</b>	<b>20M3472</b>	6F	F78	72	458,37	454,05	480	300	-	362	394	-	44	
		<b>80-20M-340</b>	<b>20M3480</b>	6F	F79	80	509,30	504,98	530	300	-	362	394	-	44	
		<b>90-20M-340</b>	<b>20M3490</b>	10WF	F80	90	572,96	568,64	595	300	508	362	394	-	48	
	WITHOUT FLANGES	<b>112-20M-340</b>	<b>20M3411</b>	10A		112	713,01	708,70	-	350	648	362	362	-	48	
		<b>144-20M-340</b>	<b>20M3414</b>	10A		144	916,73	912,41	-	350	852	362	362	-	48	
		<b>168-20M-340</b>	<b>20M3416</b>	10A		168	1069,52	1065,21	-	400	1005	362	362	-	48	
		<b>192-20M-340</b>	<b>20M3419</b>	10A		192	1222,31	1218,00	-	400	1158	362	362	-	48	
		<b>216-20M-340</b>	<b>20M3421</b>	10A		216	1375,10	1370,78	-	400	1300	362	362	-	48	

## Standard toothed bars – HTD®



Material: aluminium 6082 T6 UNI 9006/4 suitable for anodic treatment

## HTD® 3M

CODE SYMBOL	OUR CODE	N. OF TEETH	Dp	De	Lu	L
9 - 3M	B03M009	9	8,59	7,83	75	100
10 - 3M	B03M010	10	9,55	8,79	75	100
11 - 3M	B03M011	11	10,50	9,74	75	100
12 - 3M	B03M012	12	11,46	10,70	100	125
13 - 3M	B03M013	13	12,41	11,65	100	125
14 - 3M	B03M014	14	13,37	12,61	100	125
15 - 3M	B03M015	15	14,32	13,56	100	125
16 - 3M	B03M016	16	15,28	14,52	125	155
17 - 3M	B03M017	17	16,23	15,47	125	155
18 - 3M	B03M018	18	17,19	16,43	125	155
19 - 3M	B03M019	19	18,14	17,38	125	155
20 - 3M	B03M020	20	19,10	18,34	150	165
21 - 3M	B03M021	21	20,05	19,25	150	165
22 - 3M	B03M022	22	21,01	20,25	150	165
23 - 3M	B03M023	23	21,96	21,20	150	165
24 - 3M	B03M024	24	22,92	22,16	150	165
25 - 3M	B03M025	25	23,87	23,11	150	165
26 - 3M	B03M026	26	24,83	24,07	150	165
27 - 3M	B03M027	27	25,78	25,02	150	165
28 - 3M	B03M028	28	26,74	25,98	150	165
29 - 3M	B03M029	29	27,69	26,93	150	165
30 - 3M	B03M030	30	28,65	27,89	175	183
31 - 3M	B03M031	31	29,60	28,84	175	183
32 - 3M	B03M032	32	30,56	29,80	175	183

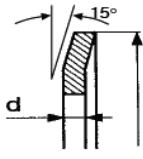
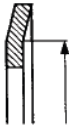

CODE SYMBOL	OUR CODE	N. OF TEETH	Dp	De	Lu	L
33 - 3M	B03M033	33	31,54	30,75	175	183
34 - 3M	B03M034	34	32,47	31,71	175	183
35 - 3M	B03M035	35	33,42	32,66	175	183
36 - 3M	B03M036	36	34,38	33,62	200	200
37 - 3M	B03M037	37	35,33	34,57	200	200
38 - 3M	B03M038	38	36,29	35,53	200	200
39 - 3M	B03M039	39	37,24	36,48	200	200
40 - 3M	B03M040	40	38,20	37,44	200	200
42 - 3M	B03M042	42	40,11	39,34	200	200
44 - 3M	B03M044	44	42,02	41,26	200	200
45 - 3M	B03M045	45	42,97	42,21	200	200
48 - 3M	B03M048	48	45,84	45,08	200	200
50 - 3M	B03M050	50	47,75	46,99	200	200
52 - 3M	B03M052	52	49,66	48,90	200	200
54 - 3M	B03M054	54	51,57	50,81	200	200
56 - 3M	B03M056	56	53,48	52,72	200	200
60 - 3M	B03M060	60	57,30	56,54	200	200
62 - 3M	B03M062	62	59,21	58,45	200	200
64 - 3M	B03M064	64	61,12	60,36	200	200
66 - 3M	B03M066	66	63,03	62,27	200	200
68 - 3M	B03M068	68	64,94	64,18	200	200
70 - 3M	B03M070	70	66,85	66,09	200	200
72 - 3M	B03M072	72	68,75	67,99	200	200

## HTD® 5M

CODE SYMBOL	OUR CODE	N. OF TEETH	Dp	De	Lu	L
12 - 5M	B05M012	12	19,10	17,96	150	165
13 - 5M	B05M013	13	20,69	19,55	150	165
14 - 5M	B05M014	14	22,28	21,14	175	183
15 - 5M	B05M015	15	23,87	22,73	175	183
16 - 5M	B05M016	16	25,46	24,32	175	183
17 - 5M	B05M017	17	27,06	25,92	175	183
18 - 5M	B05M018	18	28,65	27,51	200	200
19 - 5M	B05M019	19	30,24	29,10	200	200
20 - 5M	B05M020	20	31,83	30,69	200	200
21 - 5M	B05M021	21	33,42	32,28	200	200
22 - 5M	B05M022	22	35,01	33,87	200	200
23 - 5M	B05M023	23	36,61	35,47	200	200
24 - 5M	B05M024	24	38,20	37,06	200	200
25 - 5M	B05M025	25	39,79	38,65	200	200
26 - 5M	B05M026	26	41,38	40,24	200	200
27 - 5M	B05M027	27	42,97	41,83	200	200
28 - 5M	B05M028	28	44,56	43,42	200	200
29 - 5M	B05M029	29	46,15	45,01	200	200
30 - 5M	B05M030	30	47,75	46,60	200	200

CODE SYMBOL	OUR CODE	N. OF TEETH	Dp	De	Lu	L
31 - 5M	B05M031	31	49,34	48,20	200	200
32 - 5M	B05M032	32	50,93	49,79	200	200
33 - 5M	B05M033	33	52,52	51,38	200	200
34 - 5M	B05M034	34	54,11	52,97	200	200
35 - 5M	B05M035	35	55,70	54,56	200	200
36 - 5M	B05M036	36	57,30	56,16	200	200
38 - 5M	B05M038	38	60,48	59,34	200	200
40 - 5M	B05M040	40	63,66	62,52	200	200
42 - 5M	B05M042	42	66,85	65,71	200	200
44 - 5M	B05M044	44	70,03	68,89	200	200
45 - 5M	B05M045	45	71,62	70,48	200	200
46 - 5M	B05M046	46	73,21	72,07	200	200
48 - 5M	B05M048	48	76,39	75,25	200	200
50 - 5M	B05M050	50	79,58	78,43	200	200
54 - 5M	B05M054	54	85,94	84,80	200	200
60 - 5M	B05M060	60	95,49	94,35	200	200
62 - 5M	B05M062	62	98,68	97,54	200	200
72 - 5M	B05M072	72	114,59	113,45	200	200

+48 789 234 323, +48 798 788 625, fax +48 61 666 01 36, office@a4m.com.pl,  
<http://www.a4m.com.pl/>

N. DENTI N. OF TEETH ZÄHNEZAHL NOMBRE DE DENTS CANTIDAD DE DIENTES	FLANGIA - FLANGES - BORDSCHEIBEN - FLASQUES - TAPETAS					TIPO FLANGIA FLANGES TYPE BORDSCHEIBEN TYP TYPE FLASQUES TIPO TAPETAS			
	d = 0,5 mm	d = 1 mm	d = 1,5 mm	d = 2,5 mm	d = 4 mm				
	HTD®3M	HTD®5M	HTD®8M	HTD®14M	HTD®20M				
10	F 01	-	-	-	-	F 01	13	10	6
11	-	-	-	-	-	F 02	15	12	8
12	F 02	F 07	-	-	-	F 03	16	13	9,5
13	-	-	-	-	-	F 04	17,5	14,5	11,6
14	F 03	F 08	-	-	-	F 05	18	15	11,5
15	F 04	F 09	-	-	-	F 06	20	16,5	12,2
16	F 05	F 09	-	-	-	F 07	23	18	12,5
17	-	-	-	-	-	F 08	25	21,5	15
18	F 06	F 10	-	-	-	F 09	28	24	17,8
19	-	-	-	-	-	F 10	32	27,5	23
20	F 07	F 12	-	-	-	F 11	35	30,5	23
21	F 08	F 14	-	-	-	F 12	36	31	25
22	F 08	F 14	F 22	-	-	F 13	37	33	25
23	-	-	-	-	-	F 14	38	34	26,5
24	F 08	F 15	F 25	-	-	F 15	42	38	30,5
25	-	-	-	-	-	F 16	43	39	31
26	F 09	F 17	F 26	-	-	F 17	44	40,5	32,5
27	-	-	-	-	-	F 18	48	43,5	37
28	F 10	F 18	F 27	F 40	-	F 19	51	47	40
29	-	-	-	F 43	-	F 20	54	50,5	43
30	F 10	F 19	F 29	F 43	-	F 21	57	52	46
31	-	-	-	-	-	F 22	60	57	47
32	F 12	F 20	F 30	F 49	-	F 23	61	56,5	49
33	-	-	-	-	-	F 24	64	57	47
34	-	F 21	F 31	F 51	F 64	F 25	66	63	52
35	-	-	-	-	-	F 26	70	66,5	53
36	F 14	F 22	F 33	F 52	F 65	F 27	75	68,5	60
37	-	-	-	-	-	F 28	79	72,5	60
38	-	F 25	F 34	F 81	F 67	F 29	83	78	68
39	-	-	-	-	-	F 30	87	82,5	72
40	F 15	F 26	F 35	F 56	F 68	F 31	91	85,5	76
41	-	-	-	-	-	F 32	93	89	80
42	-	-	-	-	-	F 33	97	93,8	83
43	-	-	-	-	-	F 34	102	97	82,5
44	F 18	F 27	F 38	F 61	F 71	F 35	106	101	90
45	-	-	-	-	-	F 36	112	105,5	91
46	-	-	-	-	-	F 37	115	109	94
47	-	-	-	-	-	F 38	120	112,5	99,5
48	-	F 29	F 40	F 62	F 72	F 39	123	117,5	107
49	-	-	-	-	-	F 40	128	124	107
50	-	-	-	-	-	F 41	131	125,5	115
51	-	-	-	-	-	F 42	135	128,5	115
52	-	-	-	-	F 73	F 43	138	132	121
53	-	-	-	-	-	F 44	140	125	107
54	-	-	-	-	-	F 45	142	137	120
55	-	-	-	-	-	F 46	146	133	107
56	-	F 32	F 48	F 66	F 74	F 47	148	143	132
57	-	-	-	-	-	F 48	150	145	130
58	-	-	-	-	-	F 49	154	142	122
59	-	-	-	-	-	F 50	158	153	138,5
60	-	-	-	-	-	F 51	160	148	120
61	-	-	-	-	-	F 52	168	161	148
62	-	-	-	-	-	F 53	175	170	157
63	-	-	-	-	-	F 54	180	174	154
64	-	F 35	F 52	F 70	F 76	F 55	184	177	162
65	-	-	-	-	-	F 56	188	176	150
66	-	-	-	-	-	F 57	192	187	173
67	-	-	-	-	-	F 58	198	180	150
68	-	-	-	-	-	F 59	200	193	180
69	-	-	-	-	-	F 60	205	189	160
70	-	-	-	-	-	F 61	212	200	162
71	-	-	-	-	-	F 62	226	214	190
72	-	-	F 57	-	F 78	F 63	230	222	200
73	-	-	-	-	-	F 64	240	224	192
74	-	-	-	-	-	F 65	250	228	200
75	-	-	-	-	-	F 66	256	240	220
76	-	-	-	-	-	F 67	265	240	213
77	-	-	-	-	-	F 68	275	253	225
78	-	-	-	-	-	F 69	286	277	242
79	-	-	-	-	-	F 70	296	287	260
80	-	-	-	-	-	F 71	300	280	252
81	-	-	-	-	-	F 72	325	305	278
82	-	-	-	-	-	F 73	350	330	302
83	-	-	-	-	-	F 74	375	355	328
84	-	-	-	-	-	F 75	405	380	354
85	-	-	-	-	-	F 76	430	406	380
86	-	-	-	-	-	F 77	455	432	405
87	-	-	-	-	-	F 78	480	457	430
88	-	-	-	-	-	F 79	530	508	481
89	-	-	-	-	-	F 80	595	572	544
90	-	-	-	-	-	F 81	184	168	135

all4machines, ul. Konarzewskiego 42, 62-030 Luboń, NIP 779-224-61-85,  
+48 789 234 323, +48 798 788 625, fax +48 61 666 01 36, office@a4m.com.pl,  
<http://www.a4m.com.pl/>