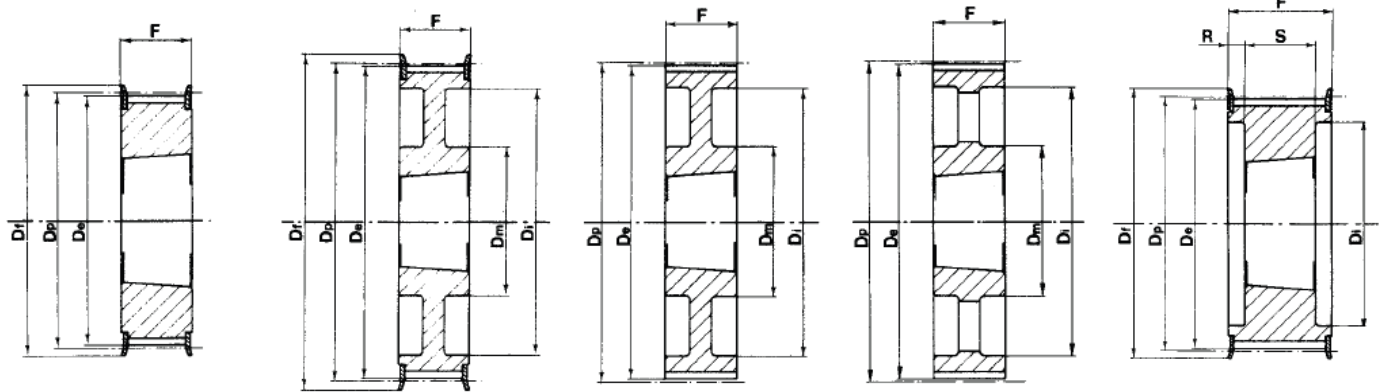




Koła pasowe zębate

Taper bush

all4machines, ul. Konarzewskiego 42, 62-030 Luboń, NIP 779-224-61-85,
+48 789 234 323, +48 798 788 625, fax +48 61 666 01 36, office@a4m.com.pl,
<http://www.a4m.com.pl/>



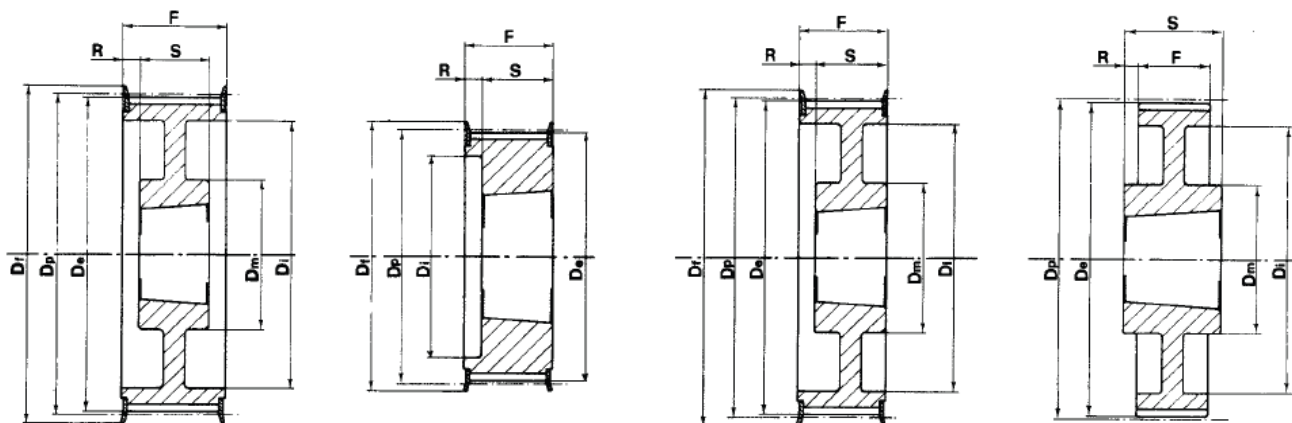
type 3F

type 3WF

type 3W

type 3A

type 4F

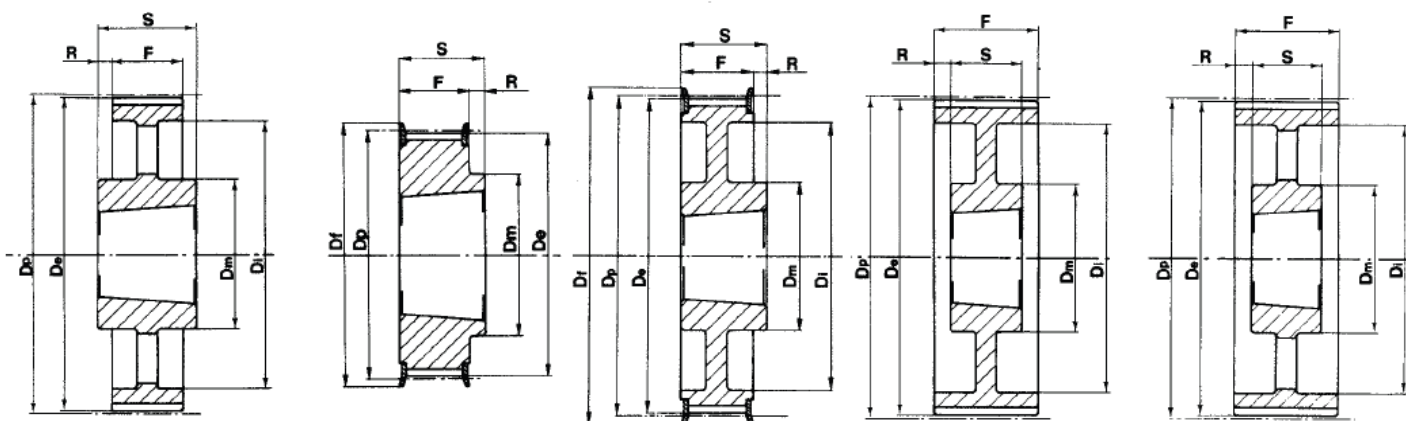


type 4WF

type 5F

type 5WF

type 7W



type 7A

type 8F

type 8WF

type 9W

type 9A

all4machines, ul. Konarzewskiego 42, 62-030 Luboń, NIP 779-224-61-85,
 +48 789 234 323, +48 798 788 625, fax +48 61 666 01 36, office@a4m.com.pl,
<http://www.a4m.com.pl/>

L 050 - 3/8" (9,525 mm)

FEATURES		CODE SYMBOL	OUR CODE	TYPE	FLANGES TYPE	BUSH	MAX. BORE	Dp	De	Df	Dm	Di	F	S	R	WEIGHT Kg
STEEL	WITH FLANGES	18 L 050	TL50018	8F	F22	1108	28	54,57	53,81	60	45	—	19,0	22,0	3	0,2
		19 L 050	TL50019	8F	F24	1108	28	57,61	56,84	64	45	—	19,0	22,0	3	0,2
		20 L 050	TL50020	8F	F25	1108	28	60,64	59,88	66	48	—	19,0	22,0	3	0,2
		21 L 050	TL50021	8F	F26	1108	28	63,67	62,91	70	48	—	19,0	22,0	3	0,3
		22 L 050	TL50022	8F	F27	1108	28	66,70	65,94	75	51	—	19,0	22,0	3	0,3
		23 L 050	TL50023	8F	F28	1108	28	69,73	68,97	79	54	—	19,0	22,0	3	0,4
		24 L 050	TL50024	8F	F28	1108	28	72,77	72,00	79	54	—	19,0	22,0	3	0,4
		25 L 050	TL50025	8F	F29	1108	28	75,80	75,04	83	56	—	19,0	22,0	3	0,5
		26 L 050	TL50026	8F	F30	1108	28	78,83	78,07	87	60	—	19,0	22,0	3	0,5
		27 L 050	TL50027	8F	F30	1108	28	81,86	81,10	87	62	—	19,0	22,0	3	0,6
		28 L 050	TL50028	8F	F31	1108	28	84,89	84,13	91	65	—	19,0	22,0	3	0,6
		30 L 050	TL50030	8F	F33	1108	28	90,96	90,20	97	70	—	19,0	22,0	3	0,8
		32 L 050	TL50032	8F	F34	1108	28	97,02	96,26	102	74	—	19,0	22,0	3	0,9
		36 L 050	TL50036	8F	F37	1108	28	109,15	108,39	115	85	—	19,0	22,0	3	1,2
		40 L 050	TL50040	8F	F40	1610	42	121,28	120,51	128	88	—	19,0	25,0	3	1,5
		44 L 050	TL50044	8WF	F45	1610	42	133,40	132,64	142	88	110	19,0	25,0	6	1,8
		48 L 050	TL50048	8WF	F48	1610	42	145,53	144,77	150	88	120	19,0	25,0	6	2,3
		CAST IRON	WITHOUT FLANGES	60 L 050	TL50060	7W		1610	42	181,91	181,15	—	92	166	19,0	25,0
72 L 050	TL50072			7A		1610	42	218,30	217,53	—	92	202	19,0	25,0	6	3,0
84 L 050	TL50084			7A		1610	42	254,68	253,90	—	92	236	19,0	25,0	6	4,0
96 L 050	TL50096			7A		2012	50	291,06	290,30	—	106	270	19,0	32,0	13	5,5
120 L 050	TL50120			7A		2012	50	363,83	363,07	—	106	343	19,0	32,0	13	6,8

L 075 - 3/8" (9,525 mm)

FEATURES		CODE SYMBOL	OUR CODE	TYPE	FLANGES TYPE	BUSH	MAX. BORE	Dp	De	Df	Dm	Di	F	S	R	WEIGHT Kg
STEEL	WITH FLANGES	18 L 075	TL75018	3F	F22	1108	28	54,57	53,81	60	—	—	25,0	25,0	—	0,2
		19 L 075	TL75019	3F	F24	1108	28	57,61	56,84	64	—	—	25,0	25,0	—	0,3
		20 L 075	TL75020	3F	F25	1108	28	60,64	59,88	66	—	—	25,0	25,0	—	0,3
		21 L 075	TL75021	3F	F26	1108	28	63,67	62,91	70	—	—	25,0	25,0	—	0,4
		22 L 075	TL75022	3F	F27	1108	28	66,70	65,94	75	—	—	25,0	25,0	—	0,4
		23 L 075	TL75023	3F	F28	1108	28	69,73	68,97	79	—	—	25,0	25,0	—	0,4
		24 L 075	TL75024	3F	F28	1108	28	72,77	72,00	79	—	—	25,0	25,0	—	0,5
		25 L 075	TL75025	3F	F29	1108	28	75,80	75,04	83	—	—	25,0	25,0	—	0,6
		26 L 075	TL75026	3F	F30	1108	28	78,83	78,07	87	—	—	25,0	25,0	—	0,6
		27 L 075	TL75027	3F	F30	1108	28	81,86	81,10	87	—	—	25,0	25,0	—	0,7
		28 L 075	TL75028	3F	F31	1108	28	84,89	84,13	91	—	—	25,0	25,0	—	0,7
		30 L 075	TL75030	3F	F33	1108	28	90,96	90,20	97	—	—	25,0	25,0	—	0,9
		32 L 075	TL75032	3F	F34	1108	28	97,02	96,26	102	—	—	25,0	25,0	—	1,0
		36 L 075	TL75036	3F	F37	1610	42	109,15	108,39	115	—	—	25,0	25,0	—	1,2
		40 L 075	TL75040	3F	F40	1610	42	121,28	120,51	128	—	—	25,0	25,0	—	1,7
		44 L 075	TL75044	3WF	F45	1610	42	133,40	132,64	142	90	110	25,0	25,0	—	2,1
		48 L 075	TL75048	3WF	F48	1610	42	145,53	144,77	150	92	120	25,0	25,0	—	2,5
		CAST IRON	WITHOUT FLANGES	60 L 075	TL75060	3W		1610	42	181,91	181,15	—	92	166	25,0	25,0
72 L 075	TL75072			3A		1610	42	218,30	217,53	—	92	202	25,0	25,0	—	4,0
84 L 075	TL75084			7A		2012	50	254,68	253,90	—	92	236	25,0	32,0	—	5,2
96 L 075	TL75096			7A		2012	50	291,06	290,30	—	106	270	25,0	32,0	3,5	6,5
120 L 075	TL75120			7A		2012	50	363,83	363,07	—	106	343	25,0	32,0	3,5	7,6

all4machines, ul. Konarzewskiego 42, 62-030 Luboń, NIP 779-224-61-85,
+48 789 234 323, +48 798 788 625, fax +48 61 666 01 36, office@a4m.com.pl,
<http://www.a4m.com.pl/>

L 100 - 3/8" (9,525 mm)

FEATURES		CODE SYMBOL	OUR CODE	TYPE	FLANGES TYPE	BUSH	MAX. BORE	Dp	De	Df	Dm	Di	F	S	R	WEIGHT Kg
STEEL	WITH FLANGES	18 L 100	TL10018	5F	F22	1108	28	54,57	53,81	60	—	38	31,0	22,0	9,0	0,2
		19 L 100	TL10019	5F	F24	1108	28	57,61	56,84	64	—	38	31,0	22,0	9,0	0,3
		20 L 100	TL10020	5F	F25	1108	28	60,64	59,88	66	—	45	31,0	22,0	9,0	0,4
		21 L 100	TL10021	5F	F26	1108	28	63,67	62,91	70	—	45	31,0	22,0	9,0	0,4
		22 L 100	TL10022	5F	F27	1108	28	66,70	65,94	75	—	48	31,0	22,0	9,0	0,4
		23 L 100	TL10023	5F	F28	1108	28	69,73	68,97	79	—	52	32,0	22,0	10,0	0,5
		24 L 100	TL10024	5F	F28	1108	28	72,77	72,00	79	—	52	32,0	22,0	10,0	0,6
		25 L 100	TL10025	5F	F29	1108	28	75,80	75,04	83	—	54	32,0	22,0	10,0	0,6
		26 L 100	TL10026	5F	F30	1108	28	78,83	78,07	87	—	60	32,0	22,0	10,0	0,7
		27 L 100	TL10027	5F	F30	1108	28	81,86	81,10	91	—	60	32,0	22,0	10,0	0,8
		28 L 100	TL10028	5F	F31	1108	28	84,89	84,13	91	—	65	32,0	22,0	10,0	0,8
		30 L 100	TL10030	5F	F33	1210	32	90,96	90,20	97	—	71	32,0	25,0	7,0	0,9
		32 L 100	TL10032	5F	F34	1210	32	97,02	96,26	102	—	75	32,0	25,0	7,0	1,0
		36 L 100	TL10036	5F	F37	1610	42	109,15	108,39	115	—	86	32,0	25,0	7,0	1,4
		40 L 100	TL10040	5F	F40	1610	42	121,28	120,51	128	—	96	32,0	25,0	7,0	1,7
		44 L 100	TL10044	5WF	F45	1610	42	133,40	132,64	142	90	110	32,0	25,0	—	2,3
		48 L 100	TL10048	5WF	F48	1610	42	145,53	144,77	150	92	120	32,0	25,0	7,0	2,7
		CAST IRON	WITHOUT FLANGES	60 L 100	TL10060	9W		1610	42	181,91	181,15	—	92	166	32,0	25,0
72 L 100	TL10072			3A		2012	50	218,30	217,53	—	92	202	32,0	32,0	—	4,4
84 L 100	TL10084			3A		2012	50	254,68	253,90	—	92	236	32,0	32,0	—	6,0
96 L 100	TL10096			3A		2012	50	291,06	290,30	—	106	270	32,0	32,0	—	7,1
120 L 100	TL10120			3A		2012	50	363,83	363,07	—	106	343	32,0	32,0	—	8,5

H 100 - 1/2" (12,7 mm)

FEATURES		CODE SYMBOL	OUR CODE	TYPE	FLANGES TYPE	BUSH	MAX. BORE	Dp	De	Df	Dm	Di	F	S	R	WEIGHT Kg
STEEL	WITH FLANGES	16 H 100	TH 10016	5F	F26	1108	28	64,68	63,31	70	—	45	31,0	22,0	9,0	0,4
		18 H 100	TH 10018	5F	F28	1210	32	72,77	71,39	79	—	52	31,0	25,0	6,0	0,5
		19 H 100	TH 10019	5F	F29	1210	32	76,81	75,44	83	—	56	31,0	25,0	6,0	0,6
		20 H 100	TH 10020	5F	F30	1210	32	80,55	79,48	87	—	60	31,0	25,0	6,0	0,7
		21 H 100	TH 10021	5F	F31	1210	32	84,89	83,52	91	—	64	32,0	25,0	7,0	0,8
		22 H 100	TH 10022	5F	F32	1210	32	88,94	87,56	93	—	67	32,0	25,0	7,0	0,9
		23 H 100	TH 10023	5F	F33	1610	42	92,98	91,61	97	—	70	32,0	25,0	7,0	0,9
		24 H 100	TH 10024	5F	F34	1610	42	97,02	95,65	102	—	74	32,0	25,0	7,0	1,0
		25 H 100	TH 10025	5F	F35	1610	42	101,06	99,69	106	—	77	32,0	25,0	7,0	1,0
		26 H 100	TH 10026	5F	F36	1610	42	105,11	103,73	112	—	82	32,0	25,0	7,0	1,2
		27 H 100	TH 10027	5F	F37	1610	42	109,15	107,78	115	—	85	32,0	25,0	7,0	1,3
		28 H 100	TH 10028	5F	F38	1610	42	113,19	111,82	120	—	90	32,0	25,0	7,0	1,5
		30 H 100	TH 10030	5F	F40	1610	42	121,28	119,90	128	—	98	32,0	25,0	7,0	1,7
		32 H 100	TH 10032	5WF	F42	1610	42	129,36	127,99	135	80	106	32,0	25,0	7,0	2,0
		36 H 100	TH 10036	5WF	F48	1610	42	145,53	144,16	150	92	121	32,0	25,0	7,0	2,7
		40 H 100	TH 10040	5WF	F52	1610	42	161,70	160,33	168	92	138	32,0	25,0	7,0	3,6
		44 H 100	TH 10044	3WF	F55	2012	50	177,87	176,50	184	106	152	32,0	32,0	—	3,8
		48 H 100	TH 10048	3WF	F59	2012	50	194,04	192,67	200	106	169	32,0	32,0	—	3,2
CAST IRON	WITHOUT FLANGES	60 H 100	TH 10060	9A		2012	50	242,55	241,18	—	92	223	34,0	32,0	1,0	4,8
		72 H 100	TH 10072	9A		2012	50	291,06	289,69	—	92	270	34,0	32,0	1,0	5,7
		84 H 100	TH 10084	9A		2012	50	339,57	338,20	—	92	318	34,0	32,0	1,0	6,8
		96 H 100	TH 10096	7A		2517	60	388,08	386,71	—	106	366	34,0	45,0	5,5	8,2
		120 H 100	TH 10120	7A		2517	60	485,10	483,73	—	106	462	34,0	45,0	5,5	12,1

H 150 - 1/2" (12,7 mm)

FEATURES		CODE SYMBOL	OUR CODE	TYPE	FLANGES TYPE	BUSH	MAX. BORE	Dp	De	Df	Dm	Di	F	S	R	WEIGHT Kg
STEEL	WITH FLANGES	18 H 150	TH 15018	5F	F28	1210	32	72,77	71,39	79	—	52	45,0	25,0	20,0	0,6
		19 H 150	TH 15019	5F	F29	1210	32	76,81	75,44	83	—	56	45,0	25,0	20,0	0,7
		20 H 150	TH 15020	5F	F30	1210	32	80,55	79,48	87	—	60	45,0	25,0	20,0	0,8
		21 H 150	TH 15021	5F	F31	1210	32	84,89	83,52	91	—	64	45,0	25,0	20,0	1,0
		22 H 150	TH 15022	5F	F32	1210	32	88,94	87,56	93	—	67	45,0	25,0	20,0	1,2
		23 H 150	TH 15023	5F	F33	1610	42	92,98	91,61	97	—	70	45,0	25,0	20,0	1,3
		24 H 150	TH 15024	5F	F34	1610	42	97,02	95,65	102	—	74	45,0	25,0	20,0	1,0
		25 H 150	TH 15025	5F	F35	1610	42	101,06	99,69	106	—	77	45,0	25,0	20,0	1,2
		26 H 150	TH 15026	5F	F36	1610	42	105,11	103,73	112	—	82	45,0	25,0	20,0	1,4
		27 H 150	TH 15027	5F	F37	1610	42	109,15	107,78	115	—	85	45,0	25,0	20,0	1,6
		28 H 150	TH 15028	5F	F38	1610	42	113,19	111,82	120	—	90	45,0	25,0	20,0	1,8
		30 H 150	TH 15030	5F	F40	1610	42	121,28	119,90	128	—	98	45,0	25,0	20,0	2,3
		32 H 150	TH 15032	5WF	F42	1610	42	129,36	127,99	135	80	106	45,0	25,0	20,0	2,3
		36 H 150	TH 15036	5WF	F48	1610	42	145,53	144,16	150	92	121	45,0	25,0	20,0	3,1
		40 H 150	TH 15040	5WF	F52	1610	42	161,70	160,33	168	92	138	45,0	25,0	20,0	4,0
44 H 150	TH 15044	5WF	F55	2012	50	177,87	176,50	184	106	152	45,0	32,0	13,0	4,4		
48 H 150	TH 15048	5WF	F59	2012	50	194,04	192,67	200	106	169	45,0	32,0	13,0	4,8		
CAST IRON	WITHOUT FLANGES	60 H 150	TH 15060	9A		2012	50	242,55	241,18	—	92	223	46,0	32,0	7,5	5,4
		72 H 150	TH 15072	9A		2012	50	291,06	289,69	—	92	270	46,0	32,0	7,5	6,5
		84 H 150	TH 15084	9A		2012	50	339,57	338,20	—	92	318	46,0	32,0	7,5	8,4
		96 H 150	TH 15096	9A		2517	60	388,08	386,71	—	106	366	46,0	45,0	0,5	11,0
		120 H 150	3E 73120	9A		2517	60	485,10	483,73	—	106	462	46,0	45,0	0,5	14,8

H 200 - 1/2" (12,7 mm)

FEATURES		CODE SYMBOL	OUR CODE	TYPE	FLANGES TYPE	BUSH	MAX. BORE	Dp	De	Df	Dm	Di	F	S	R	WEIGHT Kg
STEEL	WITH FLANGES	200	TH 20018	5F	F28	1210	32	72,77	71,39	79	—	52	58,0	25,0	33,0	0,8
		19 H 200	TH 20019	5F	F29	1210	32	76,81	75,44	83	—	56	58,0	25,0	33,0	0,9
		20 H 200	TH 20020	5F	F30	1610	42	80,55	79,48	87	—	60	58,0	25,0	33,0	1,0
		21 H 200	TH 20021	5F	F31	1610	42	84,89	83,52	91	—	64	58,0	25,0	33,0	1,7
		22 H 200	TH 20022	5F	F32	1610	42	88,94	87,56	93	—	67	58,0	25,0	33,0	1,5
		23 H 200	TH 20023	5F	F33	1610	42	92,98	91,61	97	—	70	58,0	25,0	33,0	1,8
		24 H 200	TH 20024	5F	F34	1610	42	97,02	95,65	102	—	74	58,0	25,0	33,0	1,5
		25 H 200	TH 20025	5F	F35	1610	42	101,06	99,69	106	—	77	58,0	25,0	33,0	1,5
		26 H 200	TH 20026	5F	F36	1610	42	105,11	103,73	112	—	82	58,0	25,0	33,0	1,8
		27 H 200	TH 20027	5F	F37	1610	42	109,15	107,78	115	—	85	58,0	25,0	33,0	1,9
		28 H 200	TH 20028	5F	F38	1610	42	113,19	111,82	120	—	90	58,0	25,0	33,0	1,9
		30 H 200	TH 20030	5F	F40	1610	42	121,28	119,90	128	—	98	58,0	25,0	33,0	2,3
		32 H 200	TH 20032	5F	F42	2012	50	129,36	127,99	135	—	106	58,0	32,0	26,0	3,0
		36 H 200	TH 20036	5WF	F48	2012	50	145,53	144,16	150	102	121	58,0	32,0	26,0	3,0
		40 H 200	TH 20040	5WF	F52	2012	50	161,70	160,33	168	106	140	58,0	32,0	26,0	3,6
44 H 200	TH 20044	5WF	F55	2012	50	177,87	176,50	184	106	150	58,0	32,0	26,0	4,0		
48 H 200	TH 20048	5WF	F59	2517	60	194,04	192,67	200	119	168	58,0	45,0	13,0	4,6		
CAST IRON	WITHOUT FLANGES	60 H 200	TH 20060	9A		2517	60	242,55	241,18	—	119	223	60,0	45,0	7,5	7,0
		72 H 200	TH 20072	9A		2517	60	291,06	289,69	—	119	270	60,0	45,0	7,5	8,0
		84 H 200	TH 20084	9A		2517	60	339,57	338,20	—	119	318	60,0	45,0	7,5	9,0
		96 H 200	TH 20096	9A		2517	60	388,08	386,71	—	119	366	60,0	45,0	7,5	10,0
		120 H 200	TH 20120	9A		2517	60	485,10	483,73	—	119	462	60,0	45,0	7,5	13,4

H 300 - 1/2" (12,7 mm)

FEATURES		CODE SYMBOL	OUR CODE	TYPE	FLANGES TYPE	BUSH	MAX. BORE	Dp	De	Df	Dm	Di	F	S	R	WEIGHT Kg
STEEL	WITH FLANGES	20 H300	TH30020	4F	F31	1615	42	80,85	79,48	87	—	65	84,0	38,0	23,0	1,5
		21 H300	TH 30021	4F	F31	1615	42	84,89	83,52	91	—	65	84,0	38,0	23,0	1,2
		22 H300	TH 30022	4F	F32	1615	42	88,94	87,56	93	—	67	84,0	38,0	23,0	1,6
		23 H300	TH 30023	4F	F33	1615	42	92,98	91,61	97	—	70	84,0	38,0	23,0	1,8
		24 H300	TH 30024	4F	F34	1615	42	97,02	95,65	102	—	74	84,0	38,0	23,0	2,0
		25 H300	TH 30025	4F	F35	1615	42	101,06	99,69	106	—	77	84,0	38,0	23,0	2,0
		26 H300	TH 30026	4F	F36	1615	42	105,11	103,73	112	—	82	84,0	38,0	23,0	2,7
		27 H300	TH 30027	4F	F37	2012	50	109,15	107,78	115	—	85	84,0	32,0	26,0	3,0
		28 H300	TH 30028	4F	F38	2012	50	113,19	111,82	120	—	90	84,0	32,0	26,0	2,4
		30 H300	TH 30030	4F	F40	2012	50	121,28	119,90	128	—	98	84,0	32,0	26,0	2,9
		32 H300	TH 30032	4F	F42	2517	60	129,36	127,99	135	—	106	84,0	45,0	19,5	3,3
		36 H300	TH 30036	4F	F48	2517	60	145,53	144,16	150	—	121	84,0	45,0	19,5	4,5
		40 H300	TH 30040	4F	F52	2517	60	161,70	160,33	168	—	138	84,0	45,0	19,5	6,0
		44 H300	TH 30044	4WF	F55	2517	60	177,87	176,50	184	119	150	86,0	45,0	20,5	6,6
		48 H300	TH 30048	4WF	F59	2517	60	194,04	192,67	200	119	168	86,0	45,0	20,5	7,6
CAST IRON	WITHOUT FLANGES	60 H300	TH 30060	9A		2517	60	242,55	241,18	—	119	223	86,0	45,0	20,5	8,4
		72 H300	TH 30072	9A		2517	60	291,06	289,69	—	119	270	86,0	45,0	20,5	10,4
		84 H300	TH 30084	9A		2517	60	339,57	338,20	—	119	318	86,0	45,0	20,5	12,5
		96 H300	TH 30096	9A		3030	75	388,08	386,71	—	150	366	86,0	76,0	5,0	14,2
		120 H300	TH 30120	9A		3030	75	485,10	483,73	—	150	462	86,0	76,0	5,0	18,8

XH 200 - 7/8" (22,225 mm)

FEATURES		CODE SYMBOL	OUR CODE	TYPE	FLANGES TYPE	BUSH	MAX. BORE	Dp	De	Df	Dm	Di	F	S	R	WEIGHT Kg
CAST IRON	WITH FLANGES	18 XH 200	TXH2018	5F	F44	2517	60	127,34	124,55	140	-	95	64	45	19	
		20 XH 200	TXH2020	5F	F49	2517	60	141,49	138,69	154	-	110	64	45	19	
		22 XH 200	TXH2022	5F	F52	2517	60	155,64	152,84	168	-	120	64	45	19	
		24 XH 200	TXH2024	5F	F55	2517	60	169,79	166,99	184	-	135	64	45	19	
		26 XH 200	TXH2026	5F	F59	2517	60	183,94	181,14	200	-	150	64	45	19	
		28 XH 200	TXH2028	4WF	F61	2517	60	198,08	195,29	212	120	165	64	45	9,5	
		30 XH 200	TXH2030	4WF	F62	2517	60	212,23	209,44	226	120	180	64	45	9,5	
		32 XH 200	TXH2032	4WF	F64	2517	60	226,38	223,59	240	120	195	64	45	9,5	
	40 XH 200	TXH2040	4WF	F70	3020	75	282,98	280,18	296	160	245	64	51	9,5		
	WITHOUT FLANGES	48 XH 200	TXH2048	9W		3020	75	339,57	336,78	-	160	300	64	51	6,5	
		60 XH 200	TXH2060	7A		3535	90	424,47	421,67	-	190	385	64	89	12,5	
		72 XH 200	TXH2072	7A		3535	90	509,40	506,56	-	190	470	64	89	12,5	
		84 XH 200	TXH2084	7A		3535	90	594,25	591,46	-	190	555	64	89	12,5	
		96 XH 200	TXH2096	7A		3535	90	679,15	676,35	-	190	640	64	89	12,5	
		120 XH 200	TXH2120	7A		3535	90	848,93	846,14	-	190	810	64	89	12,5	

all4machines, ul. Konarzewskiego 42, 62-030 Luboń, NIP 779-224-61-85,
+48 789 234 323, +48 798 788 625, fax +48 61 666 01 36, office@a4m.com.pl,
<http://www.a4m.com.pl/>

XH 300 - 7/8" (22,225 mm)

FEATURES		CODE SYMBOL	OUR CODE	TYPE	FLANGES TYPE	BUSH	MAX. BORE	Dp	De	Df	Dm	Di	F	S	R	WEIGHT Kg
CAST IRON	WITH FLANGES	18 XH 300	TXH3018	5F	F44	2517	60	127,34	124,55	140	-	95	90	45	45	
		20 XH 300	TXH3020	5F	F49	2517	60	141,49	138,69	154	-	110	90	45	45	
		22 XH 300	TXH3022	5F	F52	2517	60	155,64	152,84	168	-	120	90	45	45	
		24 XH 300	TXH3024	5F	F55	2517	60	169,79	166,99	184	-	135	90	45	45	
		26 XH 300	TXH3026	5F	F59	2517	60	183,94	181,14	200	-	150	90	45	45	
		28 XH 300	TXH3028	5F	F61	3020	75	198,08	195,29	212	120	165	90	51	39	
		30 XH 300	TXH3030	5F	F62	3020	75	212,23	209,44	226	120	180	90	51	39	
		32 XH 300	TXH3032	5F	F64	3020	75	226,38	223,59	240	120	195	90	51	39	
		40 XH 300	TXH3040	4WF	F70	3020	75	282,98	280,18	296	160	245	90	51	19,5	
	WITHOUT FLANGES	48 XH 300	TXH3048	9A		3020	75	339,57	336,78	-	160	300	90	51	19,5	
		60 XH 300	TXH3060	9A		3535	90	424,47	421,67	-	190	385	90	89	0,5	
		72 XH 300	TXH3072	9A		3535	90	509,40	506,56	-	190	470	90	89	0,5	
		84 XH 300	TXH3084	7A		4040	100	594,25	591,46	-	190	555	90	102	6	
		96 XH 300	TXH3096	7A		4040	100	679,15	676,35	-	190	640	90	102	6	
		120 XH 300	TXH3120	7A		4040	100	848,93	846,14	-	190	810	90	102	6	

XH 400 - 7/8" (22,225 mm)

FEATURES		CODE SYMBOL	OUR CODE	TYPE	FLANGES TYPE	BUSH	MAX. BORE	Dp	De	Df	Dm	Di	F	S	R	WEIGHT Kg
CAST IRON	WITH FLANGES	18 XH 400	TXH4018	5F	F44	2517	60	127,34	124,55	140	-	95	119	45	74	
		20 XH 400	TXH4020	5F	F49	2517	60	141,49	138,69	154	-	110	119	45	74	
		22 XH 400	TXH4022	5F	F52	2517	60	155,64	152,84	168	-	120	119	45	74	
		24 XH 400	TXH4024	5F	F55	3020	75	169,79	166,99	184	-	135	119	51	68	
		26 XH 400	TXH4026	5F	F59	3020	75	183,94	181,14	200	-	150	119	51	68	
		28 XH 400	TXH4028	5F	F61	3020	75	198,08	195,29	212	120	165	119	51	68	
		30 XH 400	TXH4030	5F	F62	3020	75	212,23	209,44	226	120	180	119	51	68	
		32 XH 400	TXH4032	5F	F64	3020	75	226,38	223,59	240	120	195	119	51	68	
		40 XH 400	TXH4040	4WF	F70	3535	90	282,98	280,18	296	160	245	119	89	15	
	WITHOUT FLANGES	48 XH 400	TXH4048	9W		3535	90	339,57	336,78	-	160	300	119	89	15	
		60 XH 400	TXH4060	9A		4040	100	424,47	421,67	-	190	385	119	102	8,5	
		72 XH 400	TXH4072	9A		4040	100	509,40	506,56	-	190	470	119	102	8,5	
		84 XH 400	TXH4084	9A		4040	100	594,25	591,46	-	190	555	119	102	8,5	
		96 XH 400	TXH4096	9A		4040	100	679,15	676,35	-	190	640	119	102	8,5	
		120 XH 4000	TXH4120	9A		4040	100	848,93	846,14	-	190	810	119	102	8,5	

all4machines, ul. Konarzewskiego 42, 62-030 Luboń, NIP 779-224-61-85,
+48 789 234 323, +48 798 788 625, fax +48 61 666 01 36, office@a4m.com.pl,
<http://www.a4m.com.pl/>